

AGNI-System NoAP-243

Step-by-step installation instructions:

1. Apply 13mm (nominal) AGNI-Black into the annular space and finish with 5mm x 5mm fillet/cone on both sides of the wall.



Technical Information

System ID	AP-243
Substrate	<ul style="list-style-type: none">• Min. 64mm timber or steel stud wall with a minimum of one layer of 13mm (or greater) FR plasterboard on each side, with or without insulation.• Min. 90mm concrete wall
Service range	DN25mm uPVC pressure pipe
Annular gap	7.5mm
AGNI-Products	AGNI-Black
Protection installation	From both sides of the wall

Compliance Information

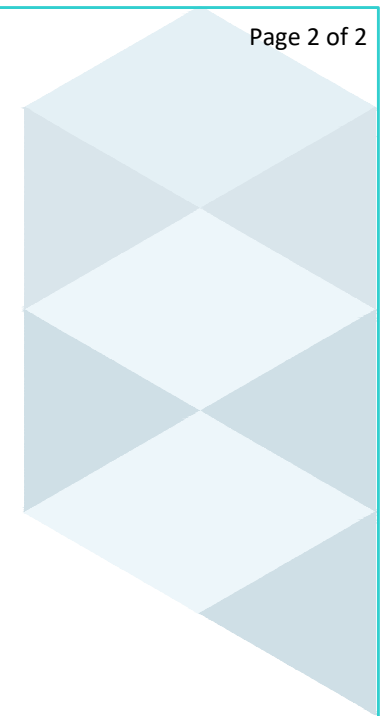
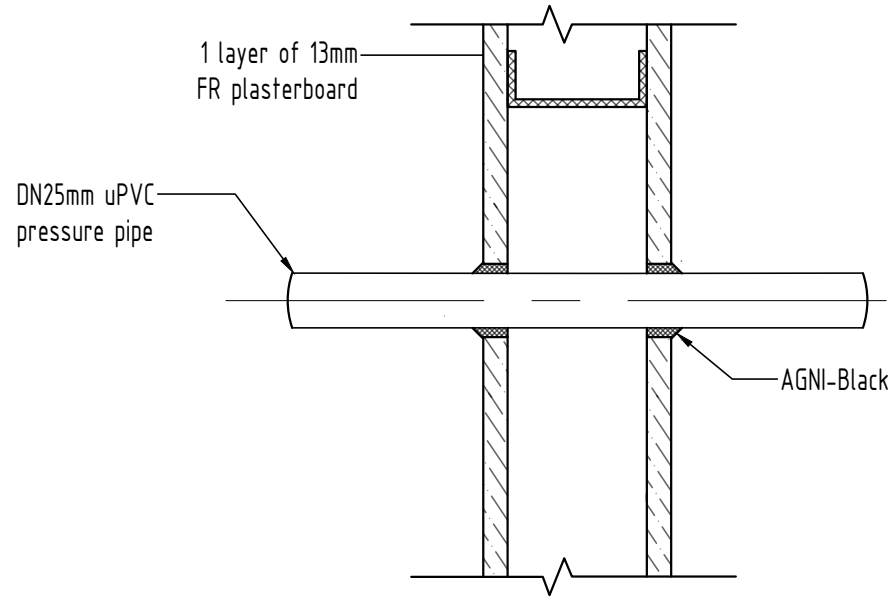
Standards	AS1530.4-2014, AS4072.1-2005
FRR/FRL	-/120/120
Reference	FRT251396



8 Clare St Bayswater
VIC 3153, AUSTRALIA
+61 (03) 7045 4242
info@agnitek.com.au
www.agnitek.com.au

Disclaimer
Agnitek reserves the right to modify product specifications without prior notice due to its ongoing research, development & certification programme. The information in this document is provided in good faith and is intended for guidance purposes only. Any accompanying drawings are solely for illustrative purposes. Since Agnitek cannot oversee installation methods or ensure site conditions, no warranties, expressed or implied, are intended regarding the products' actual performance. We do not accept liability for any loss, damage, or injury from using this information. Please take a look at the test reports displayed on a relevant AGNI-System webpage for all compliance specifics.

Date	15.08.2025
------	------------



Technical Information

System ID	AP-243
Substrate	<ul style="list-style-type: none"> • Min. 64mm timber or steel stud wall with a minimum of one layer of 13mm (or greater) FR plasterboard on each side, with or without insulation. • Min. 90mm concrete wall
Service range	DN25mm uPVC pressure pipe
Annular gap	7.5mm
AGNI-Products	AGNI-Black
Protection installation	From both sides of the wall

Compliance Information

Standards	AS1530.4-2014, AS4072.1-2005
FRR/FRL	-/120/120
Reference	FRT251396



8 Clare St Bayswater
VIC 3153, AUSTRALIA
+61 (03) 7045 4242
info@agnitek.com.au
www.agnitek.com.au

Disclaimer
Agnitek reserves the right to modify product specifications without prior notice due to its ongoing research, development & certification programme. The information in this document is provided in good faith and is intended for guidance purposes only. Any accompanying drawings are solely for illustrative purposes. Since Agnitek cannot oversee installation methods or ensure site conditions, no warranties, expressed or implied, are intended regarding the products' actual performance. We do not accept liability for any loss, damage, or injury from using this information. Please take a look at the test reports displayed on a relevant AGNI-System webpage for all compliance specifics.

Date	15.08.2025
------	------------