

## Step-by-step installation instructions:

1. Apply AGNI-Seal in the corner between the pipe insulation and the plasterboard.
2. Install AGNI-Collar40 around the service on both sides of the wall and fix to the wall using two fire collar screws.



### Technical Information

System ID	AP-237
Substrate	<ul style="list-style-type: none"> <li>• Min. 64mm timber or steel stud wall with a minimum of two layers of 13mm (or greater) FR plasterboard on each side, with or without insulation.</li> <li>• Min. 116mm concrete wall</li> </ul>
Service range	DN40mm uPVC pipe with lagging
Annular gap	0 mm
AGNI-Products	AGNI-Collar, AGNI-Seal
Protection installation	From both sides of the wall

### Compliance Information

Standards	AS1530.4-2014, AS4072.1-2005
FRR/FRL	-/120/120
Reference	FRT251395

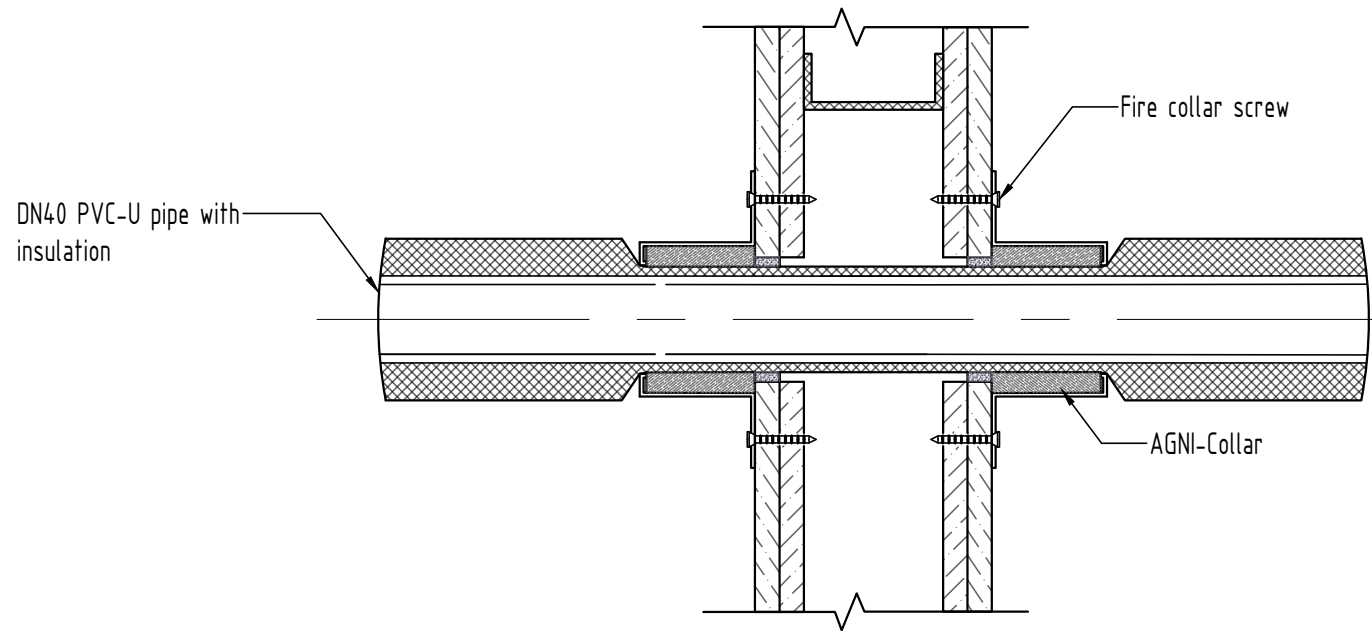


8 Clare St Bayswater  
VIC 3153, AUSTRALIA  
+61 (03) 7045 4242  
info@agnitek.com.au  
www.agnitek.com.au

#### Disclaimer

Agnitek reserves the right to modify product specifications without prior notice due to its ongoing research, development & certification programme. The information in this document is provided in good faith and is intended for guidance purposes only. Any accompanying drawings are solely for illustrative purposes. Since Agnitek cannot oversee installation methods or ensure site conditions, no warranties, expressed or implied, are intended regarding the products' actual performance. We do not accept liability for any loss, damage, or injury from using this information. Please take a look at the test reports displayed on a relevant AGNI-System webpage for all compliance specifics.

Date	15.08.2025
------	------------



Technical Information

System ID	AP-237
Substrate	<ul style="list-style-type: none"> <li>• Min. 64mm timber or steel stud wall with a minimum of two layers of 13mm (or greater) FR plasterboard on each side, with or without insulation.</li> <li>• Min. 116mm concrete wall</li> </ul>
Service range	DN40mm uPVC pipe with lagging
Annular gap	0 mm
AGNI-Products	AGNI-Collar, AGNI-Seal
Protection installation	From both sides of the wall

Compliance Information

Standards	AS1530.4-2014, AS4072.1-2005
FRR/FRL	-/120/120
Reference	FRT251395



8 Clare St Bayswater  
VIC 3153, AUSTRALIA  
+61 (03) 7045 4242  
info@agnitek.com.au  
www.agnitek.com.au

Disclaimer

Agnitek reserves the right to modify product specifications without prior notice due to its ongoing research, development & certification programme. The information in this document is provided in good faith and is intended for guidance purposes only. Any accompanying drawings are solely for illustrative purposes. Since Agnitek cannot oversee installation methods or ensure site conditions, no warranties, expressed or implied, are intended regarding the products' actual performance. We do not accept liability for any loss, damage, or injury from using this information. Please take a look at the test reports displayed on a relevant AGNI-System webpage for all compliance specifics.

Date	15.08.2025
------	------------