

## Step-by-step installation instructions:

1. Apply AGNI-Black into the annular space to the depth of the lining and finish flush.



### Technical Information

System ID	AE-231
Substrate	<ul style="list-style-type: none"> <li>• Min. 64mm timber or steel stud wall with a minimum of one layer of 13mm (or greater) FR plasterboard on each side, with or without insulation.</li> <li>• Min. 90mm concrete wall</li> </ul>
Service range	8 x TPS cables
Annular gap	2.3-8.6mm
AGNI-Products	AGNI-Black
Protection installation	From both sides of the wall

### Compliance Information

Standards	AS1530.4-2014, AS4072.1-2005
FRR/FRL	-/60/60
Reference	PF25042

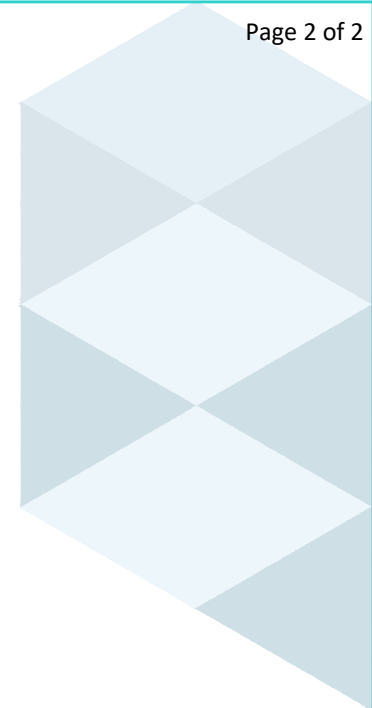
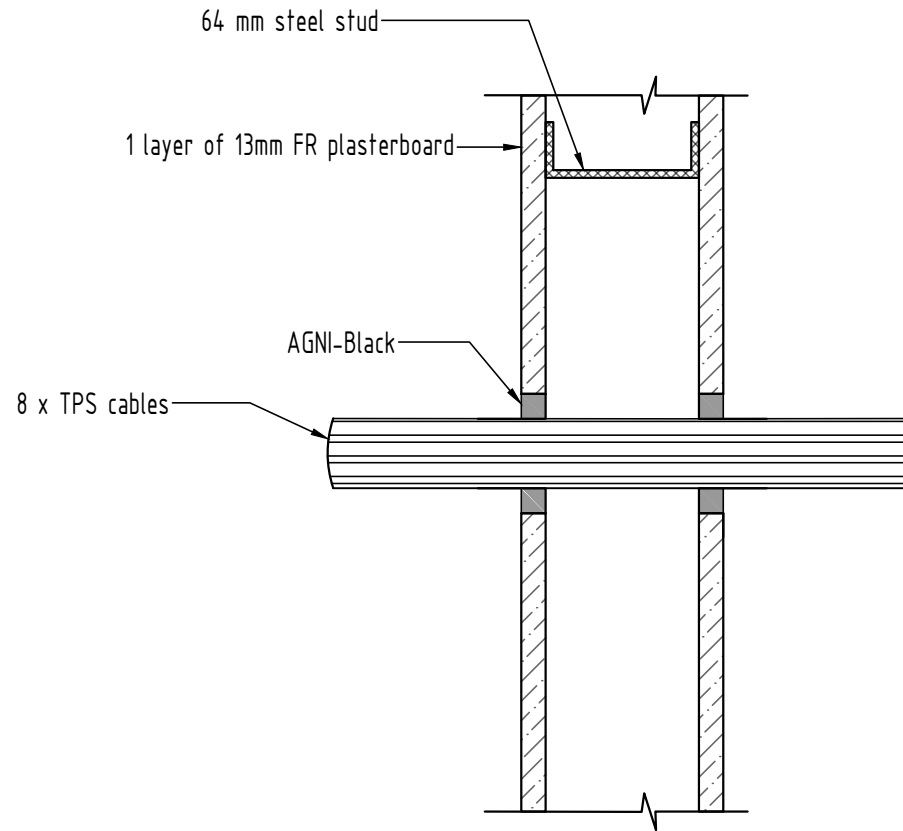


8 Clare St Bayswater  
VIC 3153, AUSTRALIA  
+61 (03) 7045 4242  
info@agnitek.com.au  
www.agnitek.com.au

Date 10.06.2025

#### Disclaimer

Agnitek reserves the right to modify product specifications without prior notice due to its ongoing research, development & certification programme. The information in this document is provided in good faith and is intended for guidance purposes only. Any accompanying drawings are solely for illustrative purposes. Since Agnitek cannot oversee installation methods or ensure site conditions, no warranties, expressed or implied, are intended regarding the products' actual performance. We do not accept liability for any loss, damage, or injury from using this information. Please take a look at the test reports displayed on a relevant AGNI-System webpage for all compliance specifics.



Technical Information

System ID	AE-231
Substrate	<ul style="list-style-type: none"> <li>• Min. 64mm timber or steel stud wall with a minimum of one layer of 13mm (or greater) FR plasterboard on each side, with or without insulation.</li> <li>• Min. 90mm concrete wall</li> </ul>
Service range	8 x TPS cables
Annular gap	2.3-8.6mm
AGNI-Products	AGNI-Black
Protection installation	From both sides of the wall

Compliance Information

Standards	AS1530.4-2014, AS4072.1-2005
FRR/FRL	-/60/60
Reference	PF25042



8 Clare St Bayswater  
 VIC 3153, AUSTRALIA  
 +61 (03) 7045 4242  
 info@agnitek.com.au  
 www.agnitek.com.au

Date 10.06.2025

Disclaimer

Agnitek reserves the right to modify product specifications without prior notice due to its ongoing research, development & certification programme. The information in this document is provided in good faith and is intended for guidance purposes only. Any accompanying drawings are solely for illustrative purposes. Since Agnitek cannot oversee installation methods or ensure site conditions, no warranties, expressed or implied, are intended regarding the products' actual performance. We do not accept liability for any loss, damage, or injury from using this information. Please take a look at the test reports displayed on a relevant AGNI-System webpage for all compliance specifics.