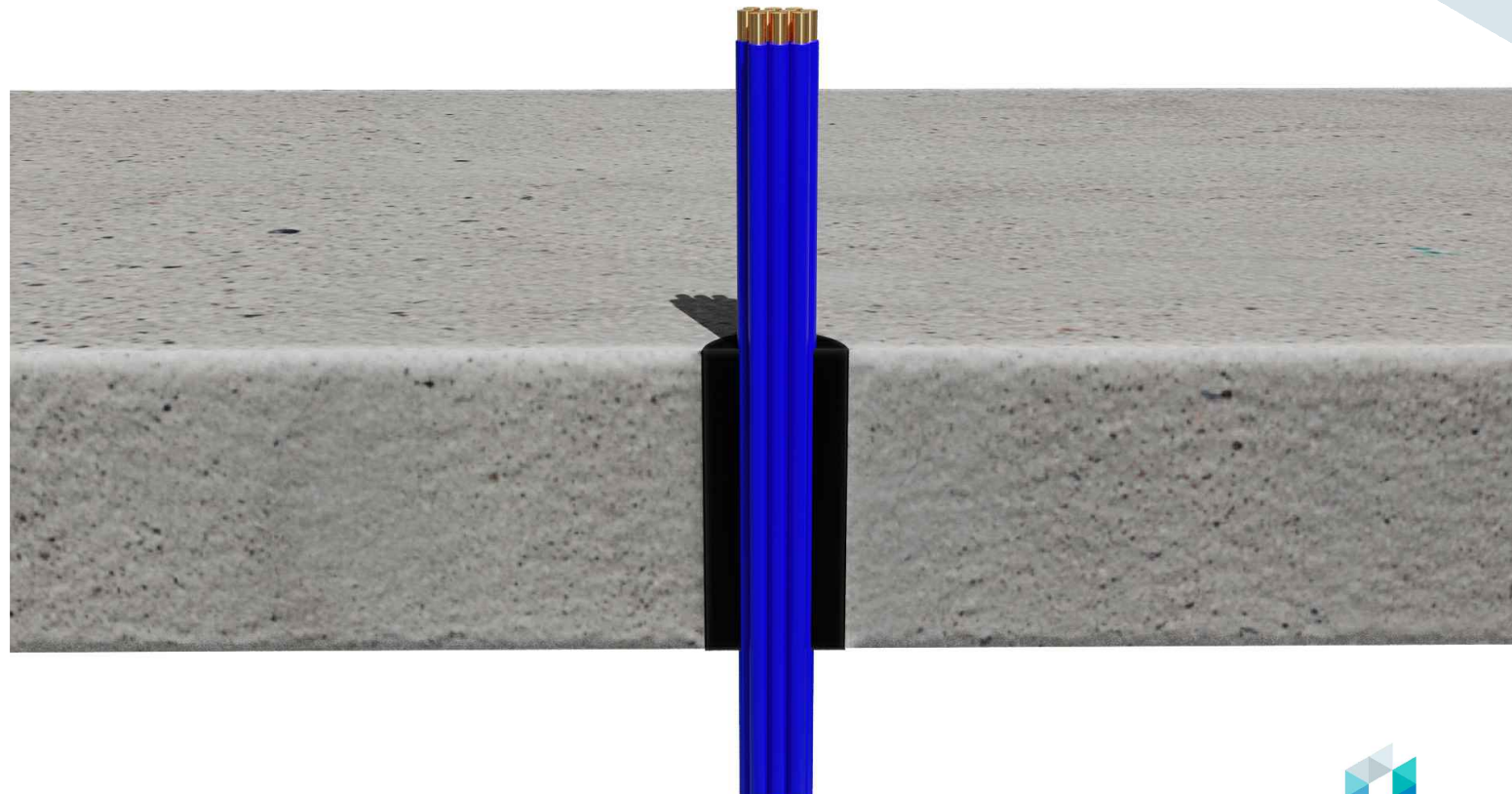


# AGNI-System №AE-227

## Step-by-step installation instructions:

1. Apply AGNI-Black in the annular space and finish flush with both faces of the concrete floor.



### Technical Information

System ID	AE-227
Substrate	Min. 120mm concrete floor/ceiling
Service range	10 x Data cables
Annular gap	5.1-13.5mm
AGNI-Products	AGNI-Black
Protection installation	Asymmetrical

### Compliance Information

Standards	AS1530.4-2014, AS4072.1-2005
FRR/FRL	-/120/120
Reference	PF25041

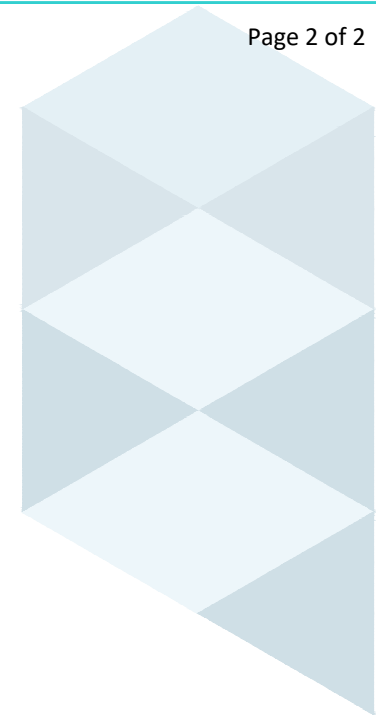
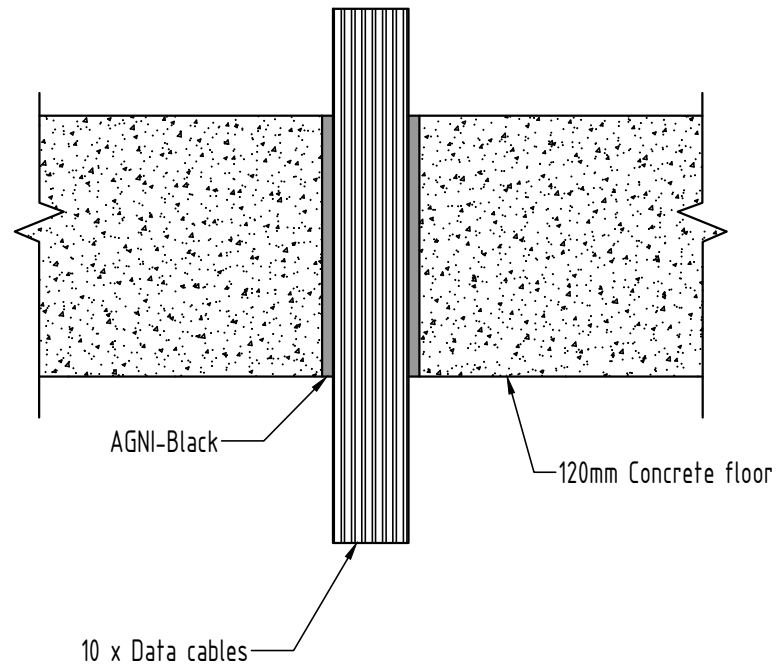


8 Clare St Bayswater  
VIC 3153, AUSTRALIA  
+61 (03) 7045 4242  
info@agnitek.com.au  
www.agnitek.com.au

#### Disclaimer

Agnitek reserves the right to modify product specifications without prior notice due to its ongoing research, development & certification programme. The information in this document is provided in good faith and is intended for guidance purposes only. Any accompanying drawings are solely for illustrative purposes. Since Agnitek cannot oversee installation methods or ensure site conditions, no warranties, expressed or implied, are intended regarding the products' actual performance. We do not accept liability for any loss, damage, or injury from using this information. Please take a look at the test reports displayed on a relevant AGNI-System webpage for all compliance specifics.

Date 10.06.2025



Technical Information

System ID	AE-227
Substrate	Min. 120mm concrete floor/ceiling
Service range	10 x Data cables
Annular gap	5.1-13.5mm
AGNI-Products	AGNI-Black
Protection installation	Asymmetrical

Compliance Information

Standards	AS1530.4-2014, AS4072.1-2005
FRR/FRL	-/120/120
Reference	PF25041



8 Clare St Bayswater  
VIC 3153, AUSTRALIA  
+61 (03) 7045 4242  
info@agnitek.com.au  
www.agnitek.com.au

**Disclaimer**  
Agnitek reserves the right to modify product specifications without prior notice due to its ongoing research, development & certification programme. The information in this document is provided in good faith and is intended for guidance purposes only. Any accompanying drawings are solely for illustrative purposes. Since Agnitek cannot oversee installation methods or ensure site conditions, no warranties, expressed or implied, are intended regarding the products' actual performance. We do not accept liability for any loss, damage, or injury from using this information. Please take a look at the test reports displayed on a relevant AGNI-System webpage for all compliance specifics.

Date	10.06.2025
------	------------