

Step-by-step installation instructions:

1. Ensure the aperture is free from dust and debris.
2. Insert one revolution of AGNI-Wrap 50 (20mm inside & 30mm outside the wall) into the annular gap against the Hebel panel.
3. Apply AGNI-Black between AGNI-Wrap 50 10mm deep and the service, finishing flush with the top of the AGNI-Wrap 50.
4. Apply 30mm x 30mm AGNI-Blackl fillet/cone around the AGNI-Wrap.



Technical Information

| | |
|-------------------------|---|
| System ID | AP-210 |
| Substrate | <ul style="list-style-type: none"> • Min. 25mm Shaftliner & 16mm fire-rated plasterboard wall (Shaftwall system) |
| Service range | From DN16mm up to DN25mm PEX pipes |
| Annular gap | 4.6 - 18.7mm |
| AGNI-Products | AGNI-Wrap 50, AGNI-Black |
| Protection installation | From both sides of the wall |

Compliance Information

| | |
|-----------|------------------------------|
| Standards | AS1530.4-2014, AS4072.1-2005 |
| FRR/FRL | -/60/60 |
| Reference | PF25006, PF24146 |
| | |
| | |



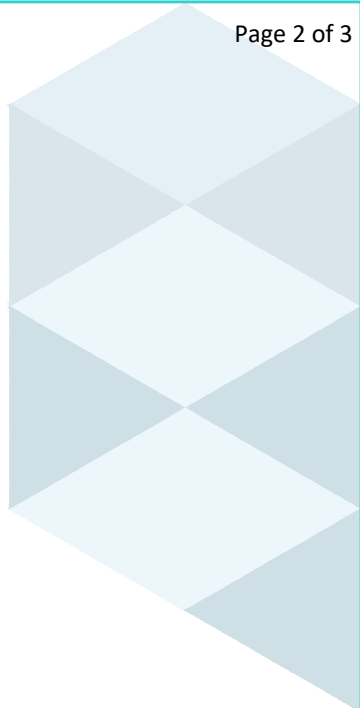
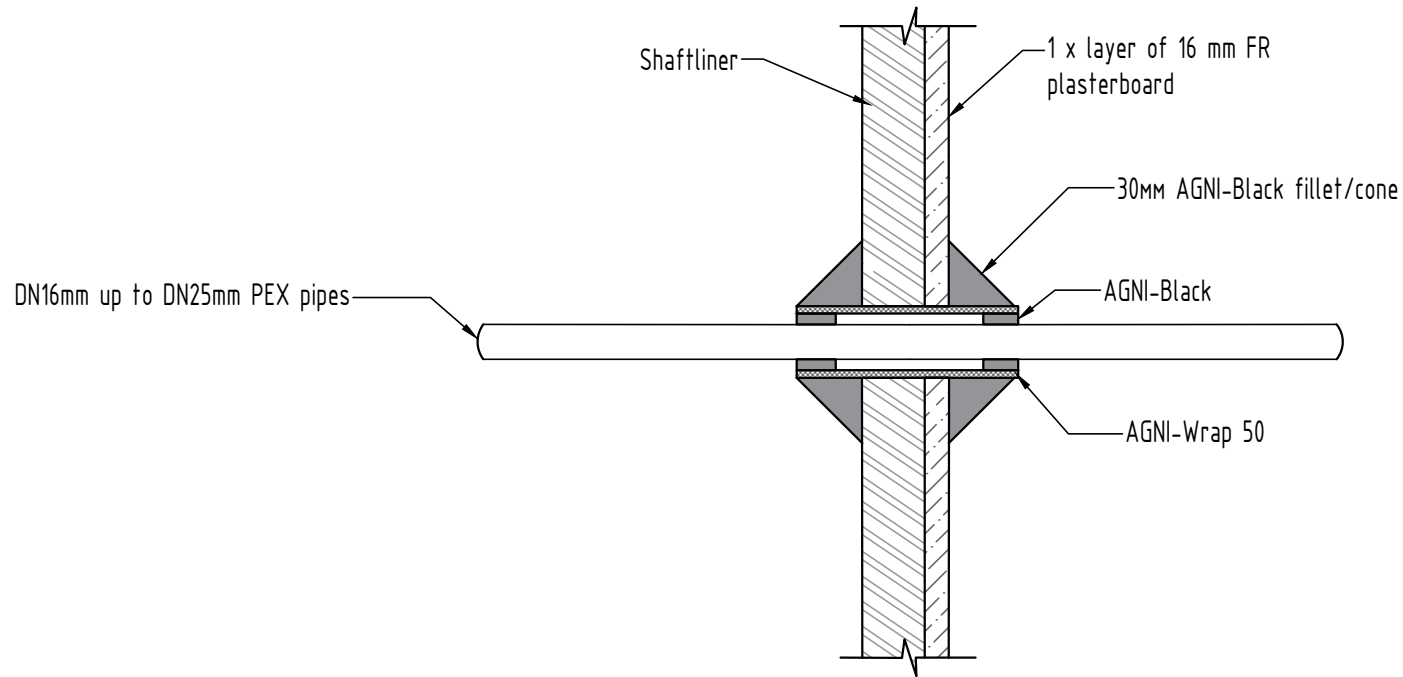
Agnitek[®]
FIRE RATED TECHNOLOGY

8 Clare St Bayswater
VIC 3153, AUSTRALIA
+61 (03) 7045 4242
info@agnitek.com.au
www.agnitek.com.au

Disclaimer

Agnitek reserves the right to modify product specifications without prior notice due to its ongoing research, development & certification programme. The information in this document is provided in good faith and is intended for guidance purposes only. Any accompanying drawings are solely for illustrative purposes. Since Agnitek cannot oversee installation methods or ensure site conditions, no warranties, expressed or implied, are intended regarding the products' actual performance. We do not accept liability for any loss, damage, or injury from using this information. Please take a look at the test reports displayed on a relevant AGNI-System webpage for all compliance specifics.

| | |
|------|------------|
| Date | 03.04.2025 |
|------|------------|



Technical Information

| | |
|-------------------------|---|
| System ID | AP-210 |
| Substrate | <ul style="list-style-type: none"> Min. 25mm Shaftliner & 16mm fire-rated plasterboard wall (Shaftwall system) |
| Service range | From DN16mm up to DN25mm PEX pipes |
| Annular gap | 4.6 - 18.7mm |
| AGNI-Products | AGNI-Wrap 50, AGNI-Black |
| Protection installation | From both sides of the wall |

Compliance Information

| | |
|-----------|------------------------------|
| Standards | AS1530.4-2014, AS4072.1-2005 |
| FRR/FRL | -/60/60 |
| Reference | PF25006, PF24146 |
| | |
| | |



Agnitek[®]
FIRE RATED TECHNOLOGY

8 Clare St Bayswater
VIC 3153, AUSTRALIA
+61 (03) 7045 4242
info@agnitek.com.au
www.agnitek.com.au

Disclaimer
Agnitek reserves the right to modify product specifications without prior notice due to its ongoing research, development & certification programme. The information in this document is provided in good faith and is intended for guidance purposes only. Any accompanying drawings are solely for illustrative purposes. Since Agnitek cannot oversee installation methods or ensure site conditions, no warranties, expressed or implied, are intended regarding the products' actual performance. We do not accept liability for any loss, damage, or injury from using this information. Please take a look at the test reports displayed on a relevant AGNI-System webpage for all compliance specifics.

| | |
|------|------------|
| Date | 20.04.2025 |
|------|------------|