

AGNI-System №AP-202

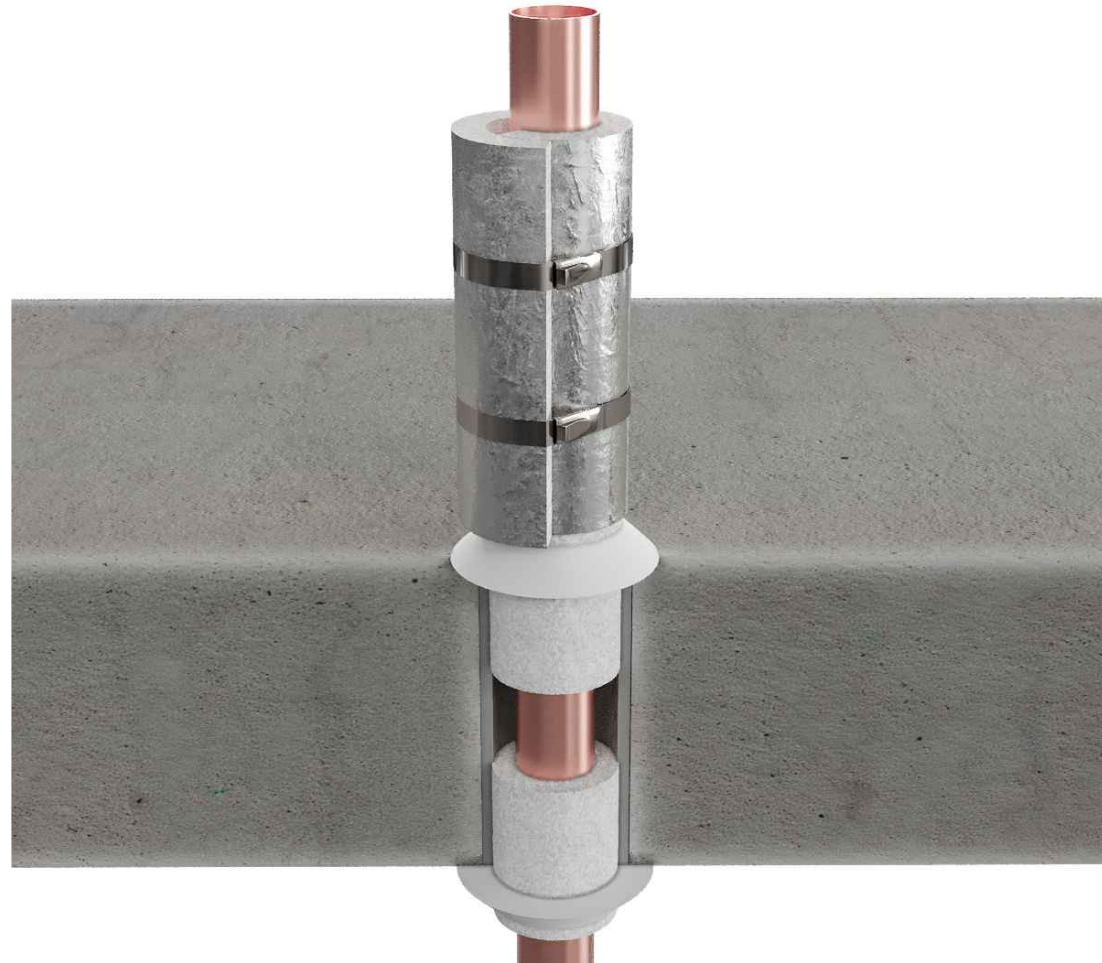
Step-by-step installation instructions:

Unexposed side (top side):

1. Insert one revolution of 50mm AGNI-Shield backing, with the foil removed, into the annular space recessed 20mm (nominal) deep.
2. Apply 20mm (nominal) deep AGNI-Seal into the annular gap, finished flush with the floor/ceiling.
3. Apply 15mm AGNI-Seal fillet/cone around the pipe.
4. Wrap one revolution of 150mm AGNI-Shield with 50mm overlap around the pipe and secure with 2 x AGNI-Straps (50mm from the top & 50mm from the bottom).

Exposed side (bottom side):

1. Insert one revolution of 50mm AGNI-Shield backing, with the foil removed, into the annular space recessed 20mm (nominal) deep.
2. Apply 20mm (nominal) deep AGNI-Seal into the annular gap, finished flush with the floor/ceiling.



Technical Information

System ID	AP-202
Substrate	• Min. 140mm concrete floor/ceiling
Service range	DN32mm Copper pipe
Annular space	16.1-18.7mm
Aperture size	Cast In DN65mm PVC pipe
AGNI-Products	AGNI-Seal, AGNI-Shield, AGNI-Straps
Protection installation	Asymmetrical

Compliance Information

Standards	AS1530.4-2014, AS4072.1-2005
FRR/FRL	-/240/150
Reference	PF25007

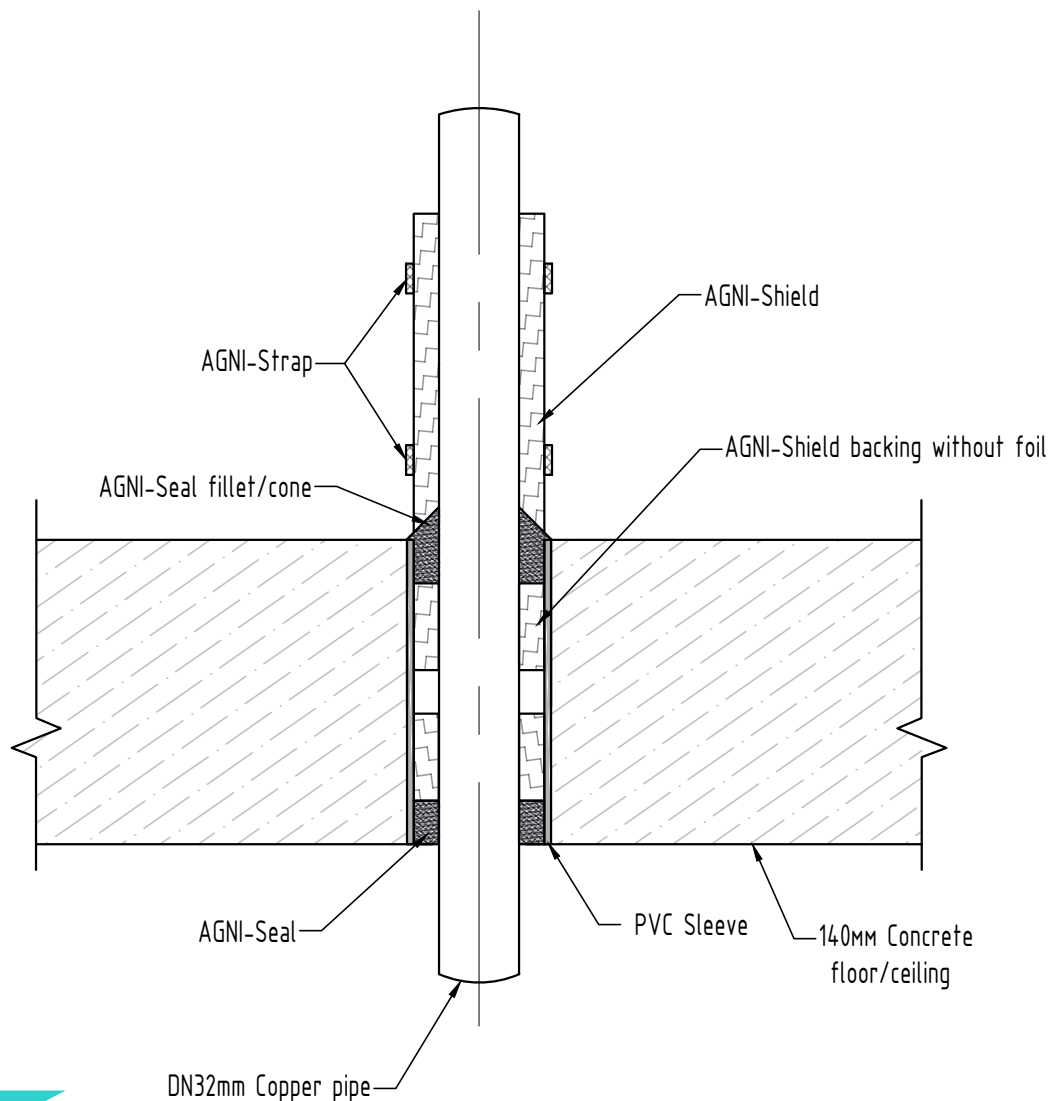


8 Clare St Bayswater
VIC 3153, AUSTRALIA
+61 (03) 7045 4242
info@agnitek.com.au
www.agnitek.com.au

Date 21.04.2025

Disclaimer

Agnitek reserves the right to modify product specifications without prior notice due to its ongoing research, development & certification programme. The information in this document is provided in good faith and is intended for guidance purposes only. Any accompanying drawings are solely for illustrative purposes. Since Agnitek cannot oversee installation methods or ensure site conditions, no warranties, expressed or implied, are intended regarding the products' actual performance. We do not accept liability for any loss, damage, or injury from using this information. Please take a look at the test reports displayed on a relevant AGNI-System webpage for all compliance specifics.



Technical Information

System ID	AP-202
Substrate	• Min. 140mm concrete floor/ceiling
Service range	DN32mm Copper pipe
Annular space	16.1-18.7mm
Aperture size	Cast In DN65mm PVC pipe
AGNI-Products	AGNI-Seal, AGNI-Shield, AGNI-Straps
Protection installation	Asymmetrical

Compliance Information

Standards	AS1530.4-2014, AS4072.1-2005
FRR/FRL	-/240/150
Reference	PF25007



8 Clare St Bayswater
VIC 3153, AUSTRALIA
+61 (03) 7045 4242
info@agnitek.com.au
www.agnitek.com.au

Date 21.04.2025

Disclaimer

Agnitek reserves the right to modify product specifications without prior notice due to its ongoing research, development & certification programme. The information in this document is provided in good faith and is intended for guidance purposes only. Any accompanying drawings are solely for illustrative purposes. Since Agnitek cannot oversee installation methods or ensure site conditions, no warranties, expressed or implied, are intended regarding the products' actual performance. We do not accept liability for any loss, damage, or injury from using this information. Please take a look at the test reports displayed on a relevant AGNI-System webpage for all compliance specifics.