

## Step-by-step installation instructions:

1. Ensure the aperture is free from dust and debris.
2. Apply AGNI-Seal into the annular gap around the cable to the full depth of the wall.
3. Apply 10mm x 10mm AGNI-Seal fillet/cone around the cable.
4. Apply one revolution of 50mm wide AGNI-Shield with a 50mm overlap wrapped around the cable.
5. Secure AGNI-Shield to the cable using one AGNI-Strap placed in the middle of the AGNI-Shield.



### Technical Information

System ID	AE-230
Substrate	<ul style="list-style-type: none"> <li>• Min. 25mm Shaftliner &amp; min. 1 x layer of 16mm FR plasterboard</li> </ul>
Service range	30mm Aluminium cable
Annular gap	6.4-7.5mm
AGNI-Products	AGNI-Seal, AGNI-Shield, AGNI-Strap
Protection installation	From both sides of the wall

### Compliance Information

Standards	AS1530.4-2014, AS4072.1-2005
FRR/FRL	-/60/60
Reference	PF25006



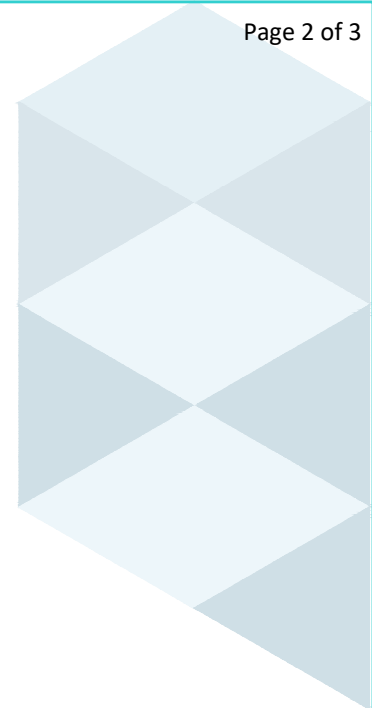
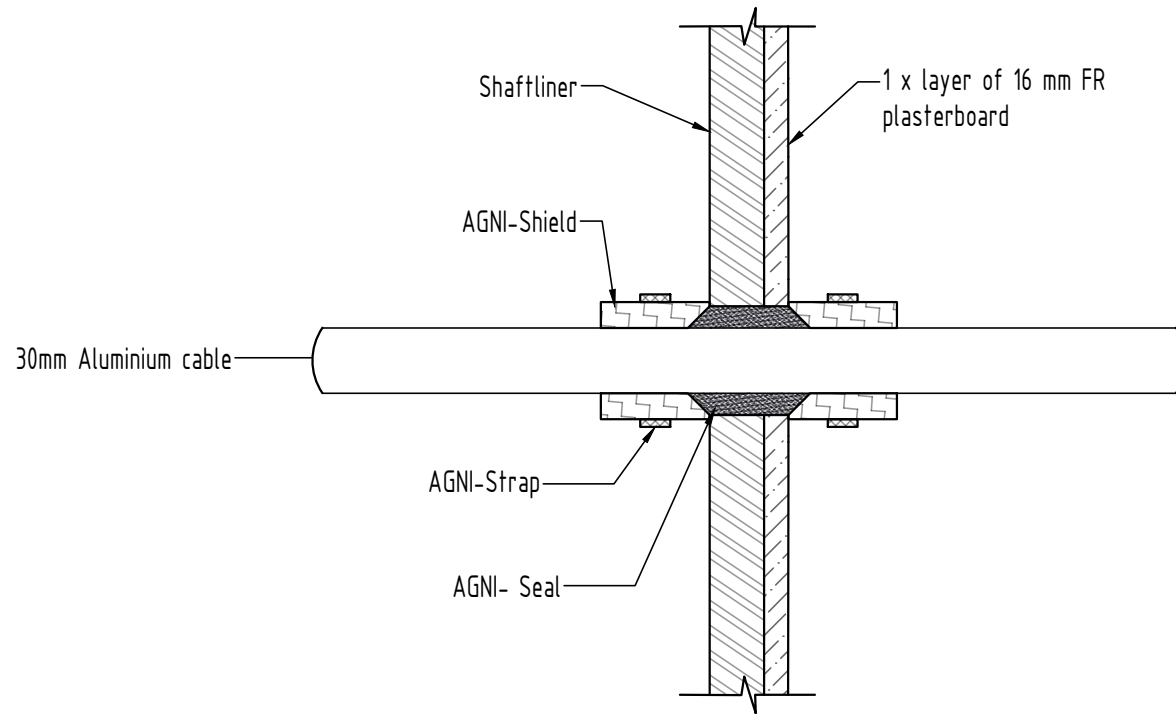
**Agnitek**<sup>®</sup>  
FIRE RATED TECHNOLOGY

8 Clare St Bayswater  
VIC 3153, AUSTRALIA  
+61 (03) 7045 4242  
info@agnitek.com.au  
www.agnitek.com.au

#### Disclaimer

Agnitek reserves the right to modify product specifications without prior notice due to its ongoing research, development & certification programme. The information in this document is provided in good faith and is intended for guidance purposes only. Any accompanying drawings are solely for illustrative purposes. Since Agnitek cannot oversee installation methods or ensure site conditions, no warranties, expressed or implied, are intended regarding the products' actual performance. We do not accept liability for any loss, damage, or injury from using this information. Please take a look at the test reports displayed on a relevant AGNI-System webpage for all compliance specifics.

Date	03.04.2025
------	------------



Technical Information

System ID	AE-230
Substrate	<ul style="list-style-type: none"> <li>Min. 25mm Shaftliner &amp; min. 1 x layer of 16mm FR plasterboard</li> </ul>
Service range	30mm Aluminium cable
Annular gap	6.4-7.5mm
AGNI-Products	AGNI-Seal, AGNI-Shield, AGNI-Strap
Protection installation	From both sides of the wall

Compliance Information

Standards	AS1530.4-2014, AS4072.1-2005
FRR/FRL	-/60/60
Reference	PF25006



8 Clare St Bayswater  
VIC 3153, AUSTRALIA  
+61 (03) 7045 4242  
info@agnitek.com.au  
www.agnitek.com.au

Disclaimer

Agnitek reserves the right to modify product specifications without prior notice due to its ongoing research, development & certification programme. The information in this document is provided in good faith and is intended for guidance purposes only. Any accompanying drawings are solely for illustrative purposes. Since Agnitek cannot oversee installation methods or ensure site conditions, no warranties, expressed or implied, are intended regarding the products' actual performance. We do not accept liability for any loss, damage, or injury from using this information. Please take a look at the test reports displayed on a relevant AGNI-System webpage for all compliance specifics.

Date	20.04.2025
------	------------