

Step-by-step installation instructions:

1. Cut one revolution of a 100 mm-wide AGNI-Shield with a 50mm overlap to fit around the cables.
2. Cut one revolution of a 100 mm-wide AGNI-Sleeve to fit around the cables.
3. Attach AGNI-Sleeve to the inside of the AGNI-Shield using staples to create AGNI-Shield-AGNI-Sleeve sandwich.
4. Wrap AGNI-Shield & AGNI-Sleeve sandwich around the cables and secure using 2 x AGNI-Straps, fixed 50mm from the top and from the bottom.
5. Push AGNI-Shield - AGNI-Sleeve sandwich into the aperture recessed 13mm (nominal) from the surface of the ceiling.
6. Apply AGNI-Seal into the aperture 13mm (nominal) deep and finish flush with the surface of the ceiling.



Technical Information

System ID	AE-190
Substrate	<ul style="list-style-type: none"> • Plasterboard ceiling: Min. 1 layer of 13mm & 16mm FR plasterboard and min. 92mm steel joist
Service range	4 x TPS cables
Annular gap	14.6 - 17.3mm
AGNI-Products	AGNI-Shield, AGNI-Sleeve, AGNI-Strap, AGNI-Seal
Protection installation	Asymmetrical

Compliance Information

Standards	AS1530.4-2014, AS4072.1-2005
FRR/FRL	-/60/60
Resistance to incipient spread of fire (RISF)	60min
Reference	PF25003

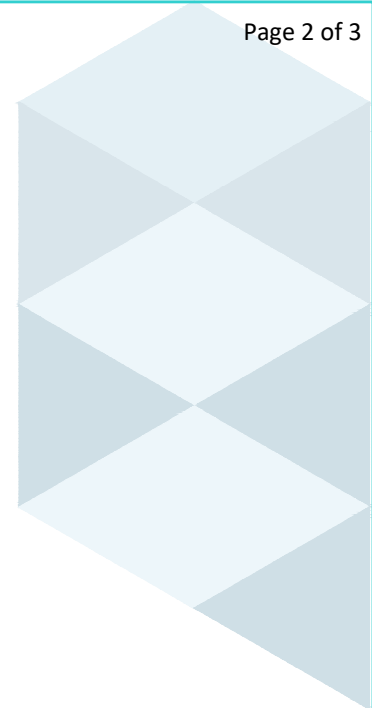
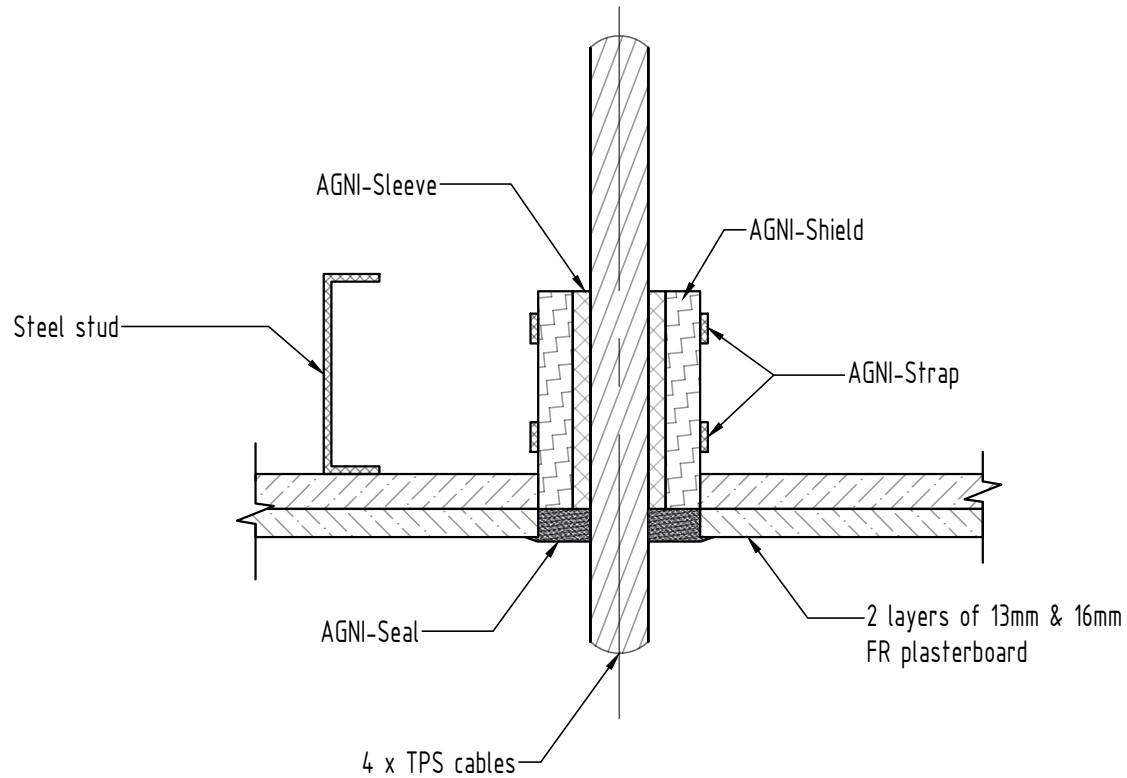


8 Clare St Bayswater
VIC 3153, AUSTRALIA
+61 (03) 7045 4242
info@agnitek.com.au
www.agnitek.com.au

Disclaimer

Agnitek reserves the right to modify product specifications without prior notice due to its ongoing research, development & certification programme. The information in this document is provided in good faith and is intended for guidance purposes only. Any accompanying drawings are solely for illustrative purposes. Since Agnitek cannot oversee installation methods or ensure site conditions, no warranties, expressed or implied, are intended regarding the products' actual performance. We do not accept liability for any loss, damage, or injury from using this information. Please take a look at the test reports displayed on a relevant AGNI-System webpage for all compliance specifics.

Date	03.04.2025
------	------------



Technical Information

System ID	AE-190
Substrate	<ul style="list-style-type: none"> Plasterboard ceiling: Min. 1 layer of 13mm & 16mm FR plasterboard and min. 92mm steel joist
Service range	4 x TPS cables
Annular gap	14.6 - 17.3mm
AGNI-Products	AGNI-Shield, AGNI-Sleeve, AGNI-Strap, AGNI-Seal
Protection installation	Asymmetrical

Compliance Information

Standards	AS1530.4-2014, AS4072.1-2005
FRR/FRL	-/60/60
Resistance to incipient spread of fire (RISF)	60min
Reference	PF25003



Agnitek
FIRE RATED TECHNOLOGY

8 Clare St Bayswater
VIC 3153, AUSTRALIA
+61 (03) 7045 4242
info@agnitek.com.au
www.agnitek.com.au

Disclaimer

Agnitek reserves the right to modify product specifications without prior notice due to its ongoing research, development & certification programme. The information in this document is provided in good faith and is intended for guidance purposes only. Any accompanying drawings are solely for illustrative purposes. Since Agnitek cannot oversee installation methods or ensure site conditions, no warranties, expressed or implied, are intended regarding the products' actual performance. We do not accept liability for any loss, damage, or injury from using this information. Please take a look at the test reports displayed on a relevant AGNI-System webpage for all compliance specifics.

Date	03.04.2025
------	------------