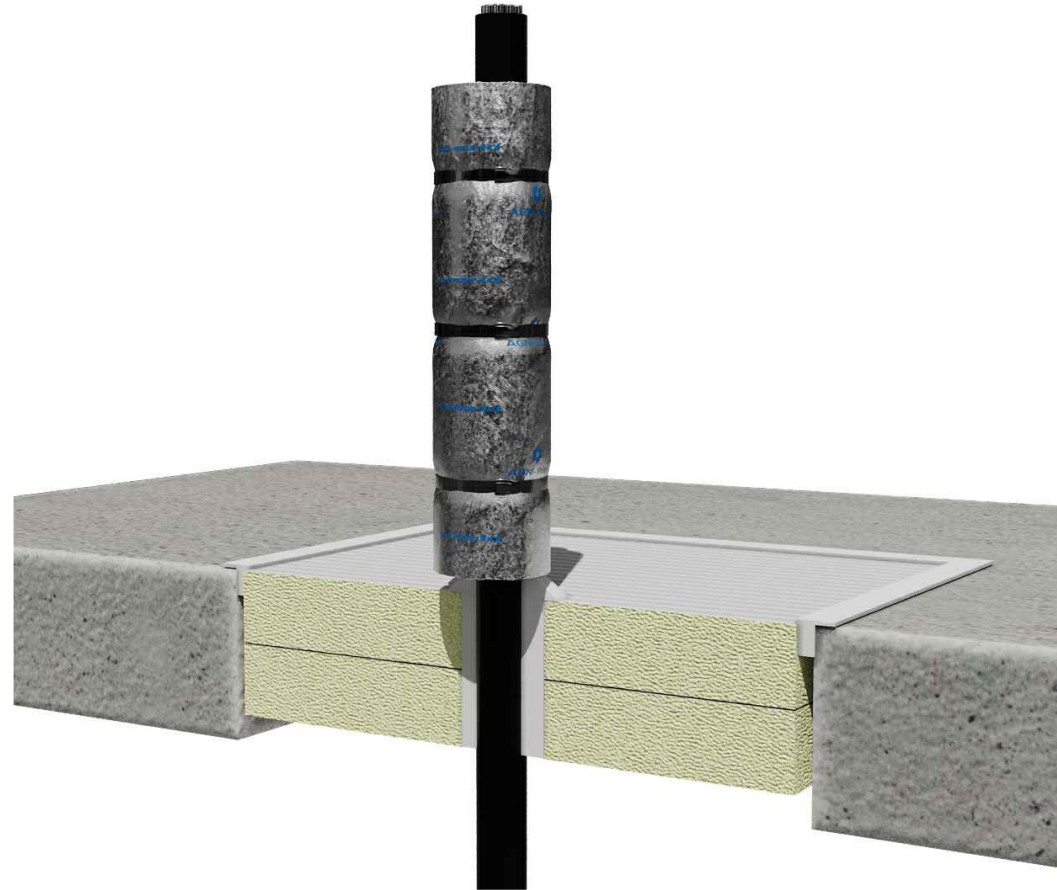


Step-by-step installation instructions:

1. Cut two layers of AGNI-Board to fit around the service.
2. Install AGNI-Seal applied full depth into the annular gap from the top of the floor / ceiling.
3. Apply a 30mm x 30mm AGNI-Seal sealant fillet/cone around the service.
4. Install one layer of 300mm wide AGNI-Shield around the service with 50mm overlap.
5. Secure the AGNI-Shield with 3 x AGNI-Straps, positioned 50mm from each end and one in the middle.



Technical Information

System ID	AE-176
Substrate	2 x layers of AGNI-Board installed in min 120mm concrete floor/ceiling
Service range	16mm, 25mm, 50mm Aluminium cables
Annular gap	16mm - 4.1 - 6.7mm 25mm - 3.3 - 7.2mm 50mm - 3.4 - 8.4mm
AGNI-Products	AGNI-Shield, AGNI-Seal, AGNI-Straps
Protection installation	Asymmetrical

Compliance Information

Standards	AS1530.4-2014, AS4072.1-2005
FRR/FRL	-/120/120
Reference	PF24142



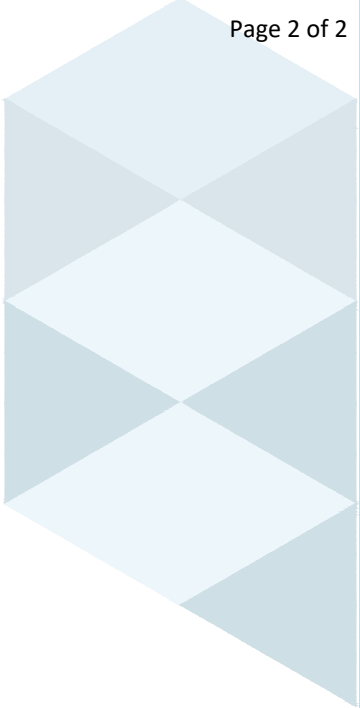
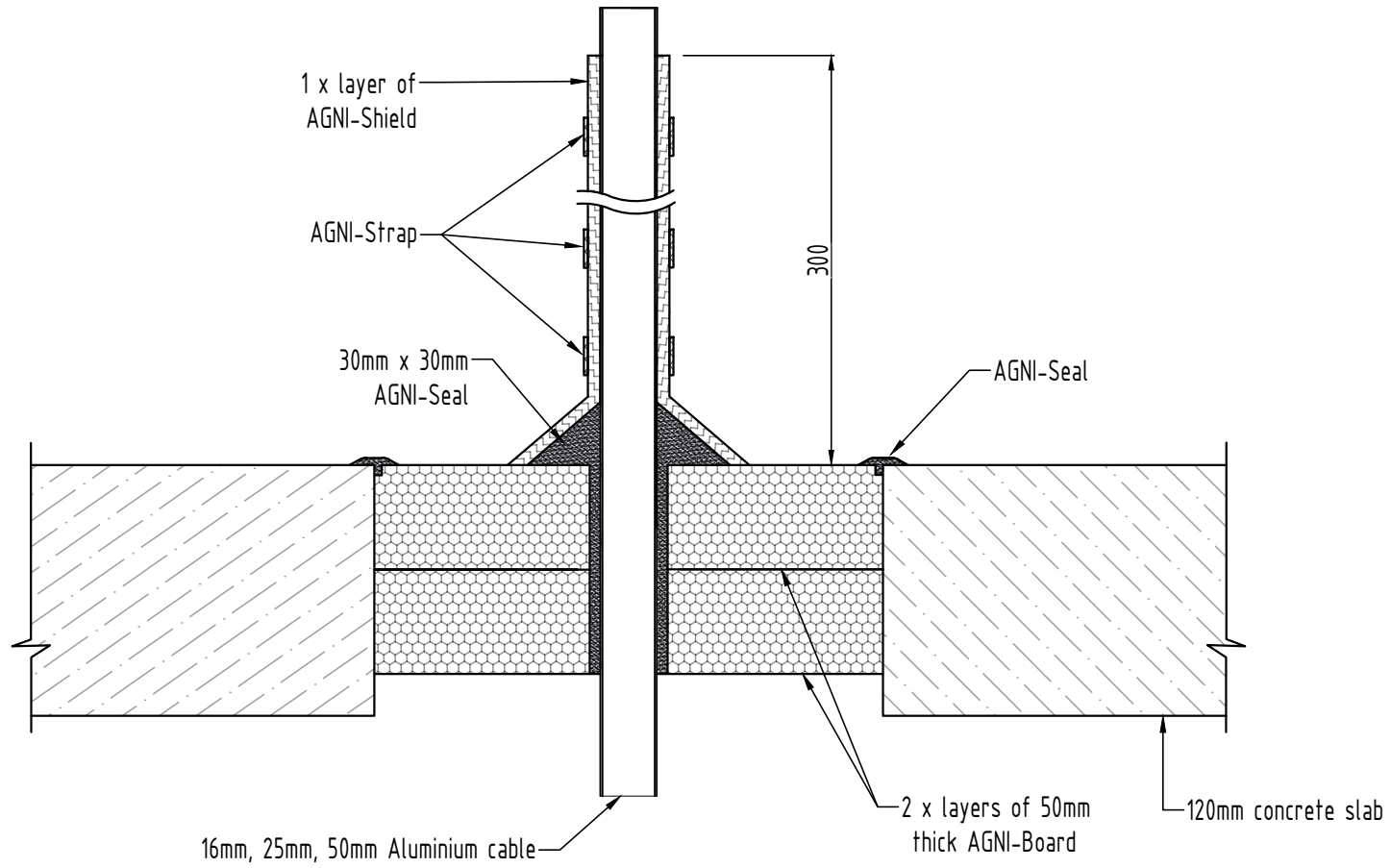
Agnitek[®]
FIRE RATED TECHNOLOGY

8 Clare St Bayswater
VIC 3153, AUSTRALIA
+61 (03) 7045 4242
info@agnitek.com.au
www.agnitek.com.au

Disclaimer

Agnitek reserves the right to modify product specifications without prior notice due to its ongoing research, development & certification programme. The information in this document is provided in good faith and is intended for guidance purposes only. Any accompanying drawings are solely for illustrative purposes. Since Agnitek cannot oversee installation methods or ensure site conditions, no warranties, expressed or implied, are intended regarding the products' actual performance. We do not accept liability for any loss, damage, or injury from using this information. Please take a look at the test reports displayed on a relevant AGNI-System webpage for all compliance specifics.

Date	01.03.2025
------	------------



Technical Information

System ID	AE-176
Substrate	2 x layers of AGNI-Board installed in min 120mm concrete floor/ceiling
Service range	16mm, 25mm, 50mm Aluminium cables
Annular gap	16mm - 4.1 - 6.7mm 25mm - 3.3 - 7.2mm 50mm - 3.4 - 8.4mm
AGNI-Products	AGNI-Shield, AGNI-Seal, AGNI-Straps
Protection installation	Asymmetrical

Compliance Information

Standards	AS1530.4-2014, AS4072.1-2005
FRR/FRL	-/120/120
Reference	PF24142



Agnitek[®]
FIRE RATED TECHNOLOGY

8 Clare St Bayswater
VIC 3153, AUSTRALIA
+61 (03) 7045 4242
info@agnitek.com.au
www.agnitek.com.au

Disclaimer

Agnitek reserves the right to modify product specifications without prior notice due to its ongoing research, development & certification programme. The information in this document is provided in good faith and is intended for guidance purposes only. Any accompanying drawings are solely for illustrative purposes. Since Agnitek cannot oversee installation methods or ensure site conditions, no warranties, expressed or implied, are intended regarding the products' actual performance. We do not accept liability for any loss, damage, or injury from using this information. Please take a look at the test reports displayed on a relevant AGNI-System webpage for all compliance specifics.

Date	01.03.2025
------	------------