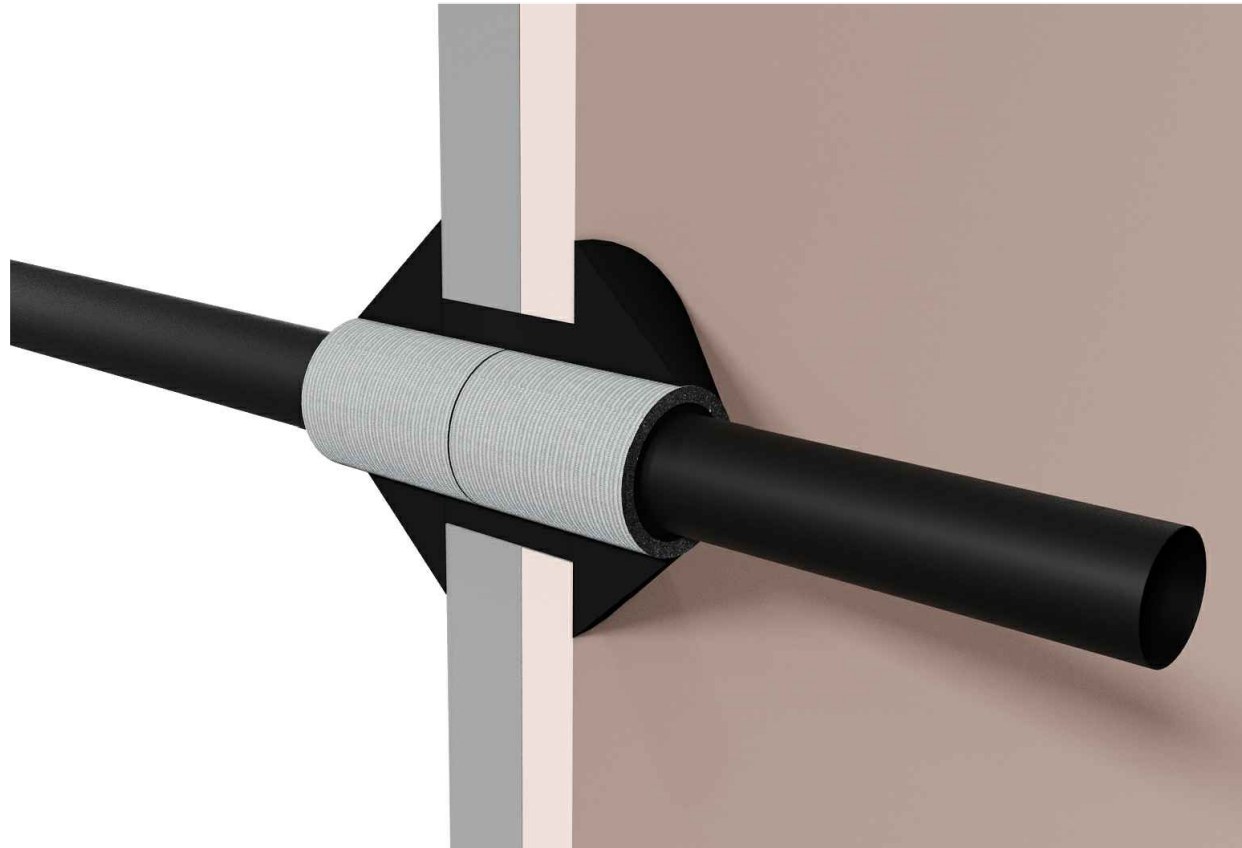


AGNI-System №AP-186

Step-by-step installation instructions:

1. Ensure the aperture is free from dust and debris.
2. Insert one revolution of AGNI-Wrap 50 (20mm inside the wall) into the annular gap against the Shaftwall.
3. Apply AGNI-Black between AGNI-Wrap 50 and the service, finishing flush with the top of the AGNI-Wrap 50.
4. Apply 30mm x 30mm AGNI-BlackI fillet/cone around AGNI-Wrap 50.



Technical Information

System ID	AP-186
Substrate	<ul style="list-style-type: none"> • Min. 25mm Shaftliner & 16mm fire-rated plasterboard wall (Shaftwall system)
Service range	DN25mm PEX pipe
Annular gap	12.3 - 18.7mm
AGNI-Products	AGNI-Wrap 50, AGNI-Black
Protection installation	From both sides of the wall

Compliance Information

Standards	AS1530.4-2014, AS4072.1-2005
FRR/FRL	-/60/60
Reference	PF24146



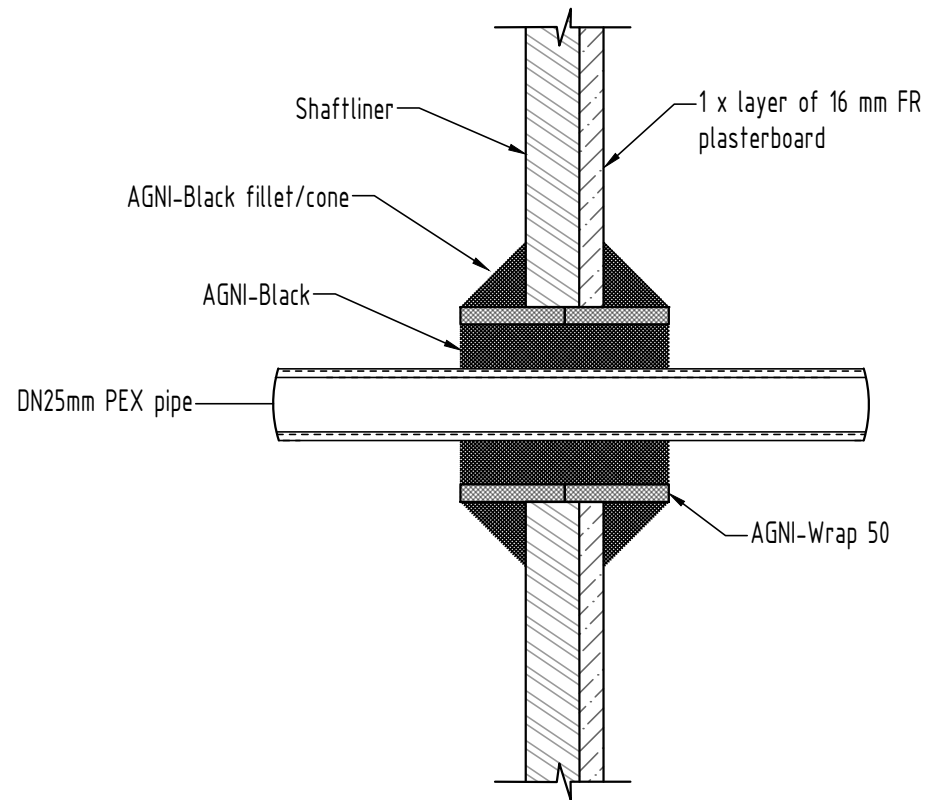
Agnitek[®]
FIRE RATED TECHNOLOGY

8 Clare St Bayswater
VIC 3153, AUSTRALIA
+61 (03) 7045 4242
info@agnitek.com.au
www.agnitek.com.au

Disclaimer

Agnitek reserves the right to modify product specifications without prior notice due to its ongoing research, development & certification programme. The information in this document is provided in good faith and is intended for guidance purposes only. Any accompanying drawings are solely for illustrative purposes. Since Agnitek cannot oversee installation methods or ensure site conditions, no warranties, expressed or implied, are intended regarding the products' actual performance. We do not accept liability for any loss, damage, or injury from using this information. Please take a look at the test reports displayed on a relevant AGNI-System webpage for all compliance specifics.

Date	07.03.2025
------	------------



Technical Information

System ID	AP-186
Substrate	<ul style="list-style-type: none"> Min. 25mm Shaftliner & 16mm fire-rated plasterboard wall (Shaftwall system)
Service range	DN25mm PEX pipe
Annular gap	12.3 - 18.7mm
AGNI-Products	AGNI-Wrap 50, AGNI-Black
Protection installation	From both sides of the wall

Compliance Information

Standards	AS1530.4-2014, AS4072.1-2005
FRR/FRL	-/60/60
Reference	PF24146



Agnitek[®]
FIRE RATED TECHNOLOGY

8 Clare St Bayswater
VIC 3153, AUSTRALIA
+61 (03) 7045 4242
info@agnitek.com.au
www.agnitek.com.au

Disclaimer

Agnitek reserves the right to modify product specifications without prior notice due to its ongoing research, development & certification programme. The information in this document is provided in good faith and is intended for guidance purposes only. Any accompanying drawings are solely for illustrative purposes. Since Agnitek cannot oversee installation methods or ensure site conditions, no warranties, expressed or implied, are intended regarding the products' actual performance. We do not accept liability for any loss, damage, or injury from using this information. Please take a look at the test reports displayed on a relevant AGNI-System webpage for all compliance specifics.

Date	07.03.2025
------	------------