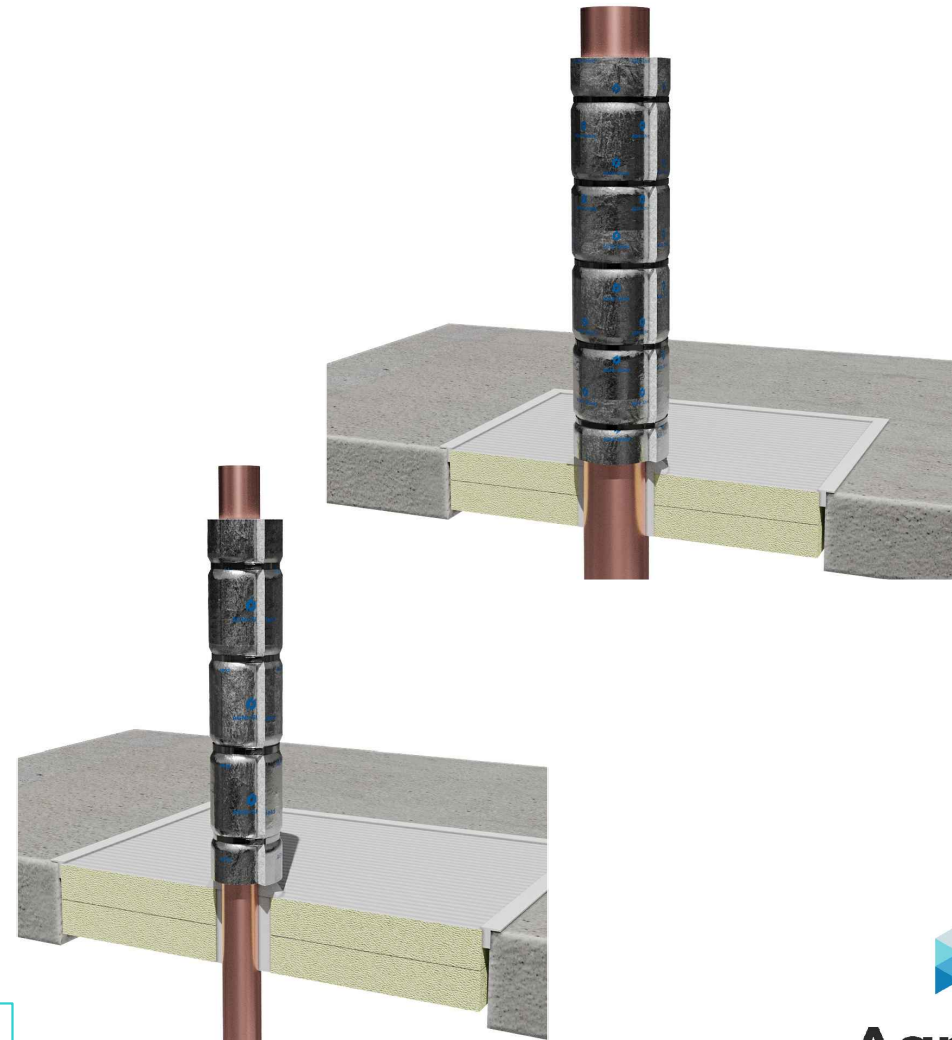


AGNI-System №AP-178

Step-by-step installation instructions:

1. Ensure the aperture is free from dust and debris.
2. Install AGNI-Seal applied full depth into the annular gap from the top of the floor / ceiling.
3. Apply a 30mm x 30mm AGNI-Seal sealant fillet/cone around the service.
4. One revolution of AGNI-Shield with 50mm overlap was wrapped around the pipe to the concrete floor / ceiling where the length of AGNI-Shield was as follows:
DN50mm copper pipe - 450mm of AGNI-Shield
DN100mm copper pipe - 600mm of AGNI-Shield.
5. The following number of AGNI-Straps are to be used to secure the ANI-Shield around the service where two straps positioned 50mm from each end and 150mm maximum spacing between each AGNI-Strap:
DN50mm copper pipe - 4 X AGNI-Straps,
DN100mm copper pipe - 5 x AGNI-Straps.



Technical Information

System ID	AP-178
Substrate	2 X layers of AGNI-Board installed in min. 120mm concrete floor/ceiling
Service range	DN50mm, DN100mm copper /steel pipes
Annular gap	DN50mm - 5.3 - 8.6mm DN100mm - 7.3 - 9.6mm
AGNI-Products	AGNI-Shield, AGNI-Seal, AGNI-Straps
Protection installation	Asymmetrical

Compliance Information

Standards	AS1530.4-2014, AS4072.1-2005
FRR/FRL	-/120/120
Reference	PF24142

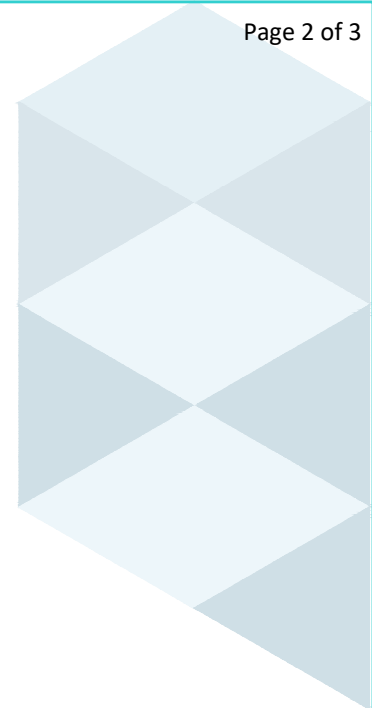
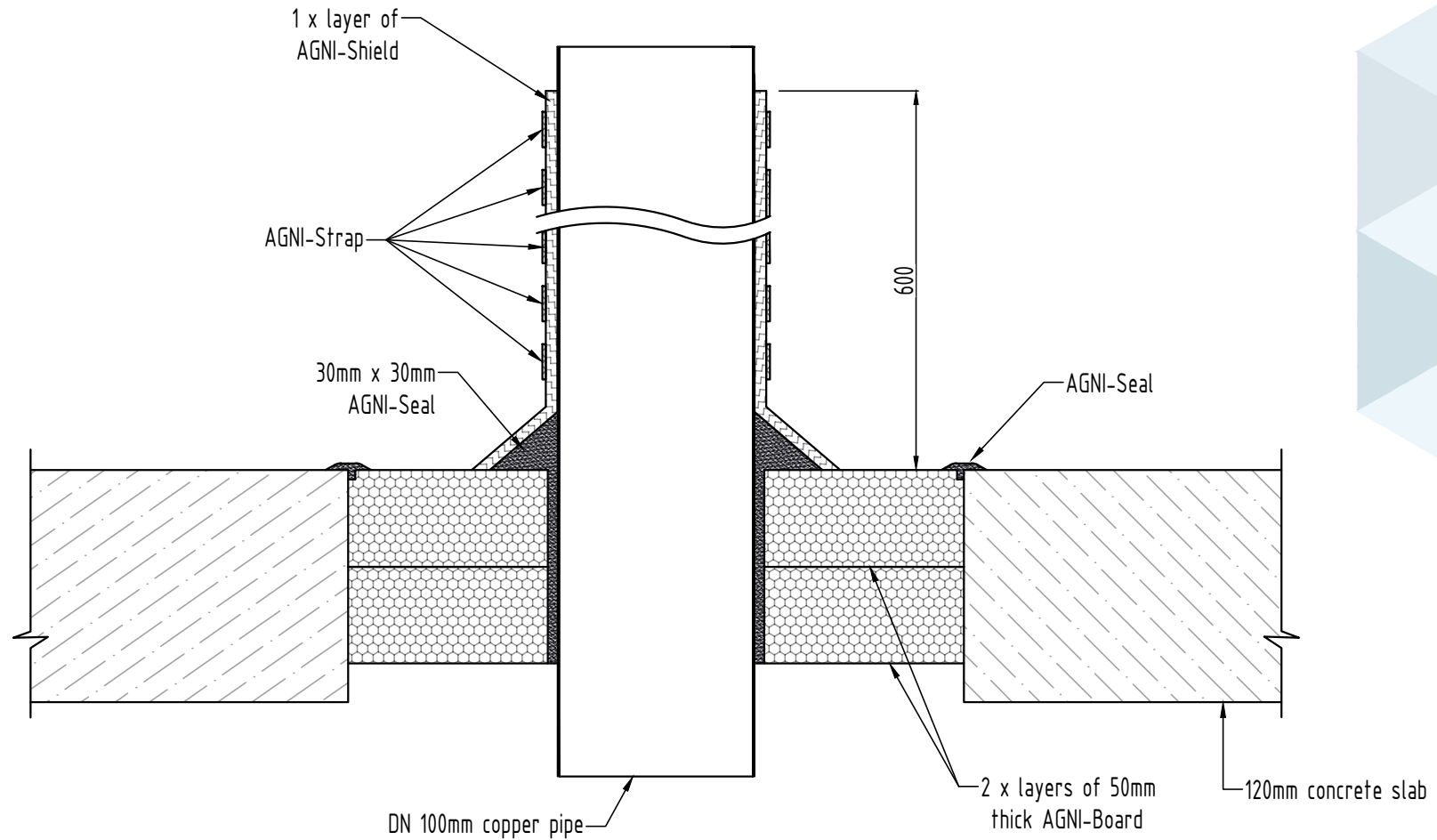


8 Clare St Bayswater
VIC 3153, AUSTRALIA
+61 (03) 7045 4242
info@agnitek.com.au
www.agnitek.com.au

Disclaimer

Agnitek reserves the right to modify product specifications without prior notice due to its ongoing research, development & certification programme. The information in this document is provided in good faith and is intended for guidance purposes only. Any accompanying drawings are solely for illustrative purposes. Since Agnitek cannot oversee installation methods or ensure site conditions, no warranties, expressed or implied, are intended regarding the products' actual performance. We do not accept liability for any loss, damage, or injury from using this information. Please take a look at the test reports displayed on a relevant AGNI-System webpage for all compliance specifics.

Date	01.03.2025
------	------------



Technical Information

System ID	AP-178
Substrate	2 X layers of AGNI-Board installed in min 120mm concrete floor/ceiling
Service range	DN50mm, DN100mm copper /steel pipes
Annular gap	DN50mm - 5.3 - 8.6mm DN100mm - 7.3 - 9.6mm
AGNI-Products	AGNI-Shield, AGNI-Seal, AGNI-Straps
Protection installation	Asymmetrical

Compliance Information

Standards	AS1530.4-2014, AS4072.1-2005
FRR/FRL	-/120/120
Reference	PF24142



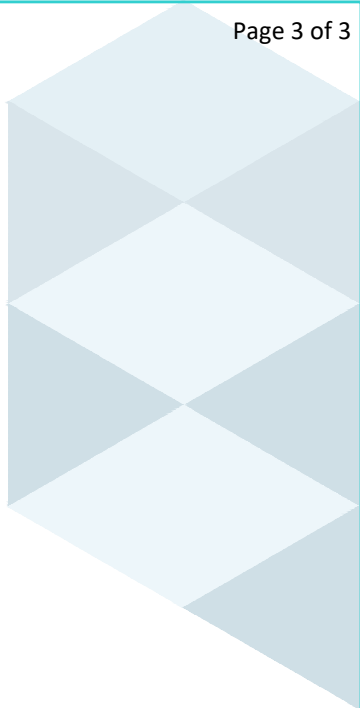
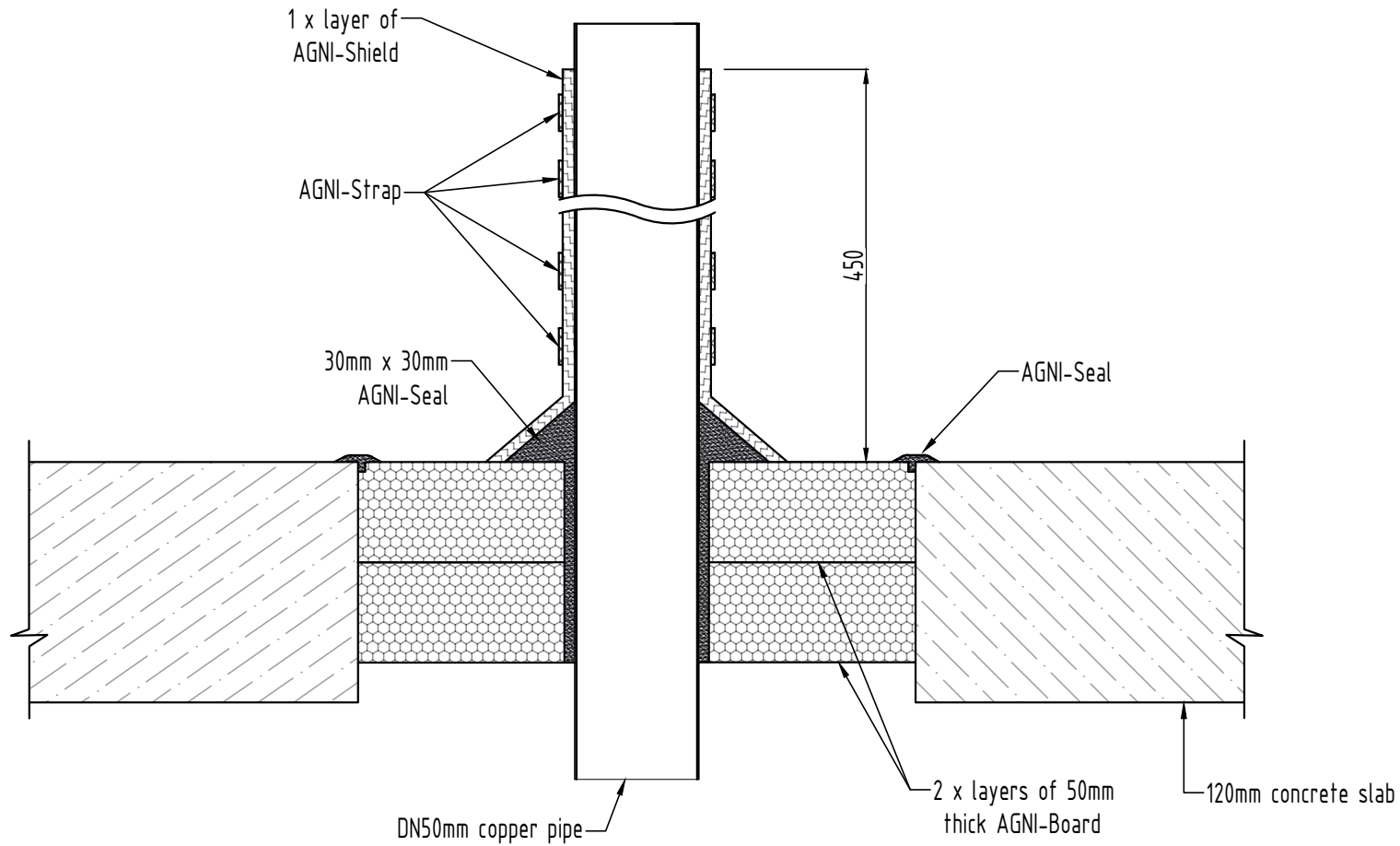
Agnitek[®]
FIRE RATED TECHNOLOGY

8 Clare St Bayswater
VIC 3153, AUSTRALIA
+61 (03) 7045 4242
info@agnitek.com.au
www.agnitek.com.au

Disclaimer

Agnitek reserves the right to modify product specifications without prior notice due to its ongoing research, development & certification programme. The information in this document is provided in good faith and is intended for guidance purposes only. Any accompanying drawings are solely for illustrative purposes. Since Agnitek cannot oversee installation methods or ensure site conditions, no warranties, expressed or implied, are intended regarding the products' actual performance. We do not accept liability for any loss, damage, or injury from using this information. Please take a look at the test reports displayed on a relevant AGNI-System webpage for all compliance specifics.

Date	01.03.2025
------	------------



Technical Information

System ID	AP-178
Substrate	2 X layers of AGNI-Board installed in min 120mm concrete floor/ceiling
Service range	DN50mm, DN100mm copper /steel pipes
Annular gap	DN50mm - 5.3 - 8.6mm DN100mm - 7.3 - 9.6mm
AGNI-Products	AGNI-Shield, AGNI-Seal, AGNI-Straps
Protection installation	Asymmetrical

Compliance Information

Standards	AS1530.4-2014, AS4072.1-2005
FRR/FRL	-/120/120
Reference	PF24142



Agnitek
FIRE RATED TECHNOLOGY

8 Clare St Bayswater
VIC 3153, AUSTRALIA
+61 (03) 7045 4242
info@agnitek.com.au
www.agnitek.com.au

Disclaimer

Agnitek reserves the right to modify product specifications without prior notice due to its ongoing research, development & certification programme. The information in this document is provided in good faith and is intended for guidance purposes only. Any accompanying drawings are solely for illustrative purposes. Since Agnitek cannot oversee installation methods or ensure site conditions, no warranties, expressed or implied, are intended regarding the products' actual performance. We do not accept liability for any loss, damage, or injury from using this information. Please take a look at the test reports displayed on a relevant AGNI-System webpage for all compliance specifics.

Date	01.03.2025
------	------------