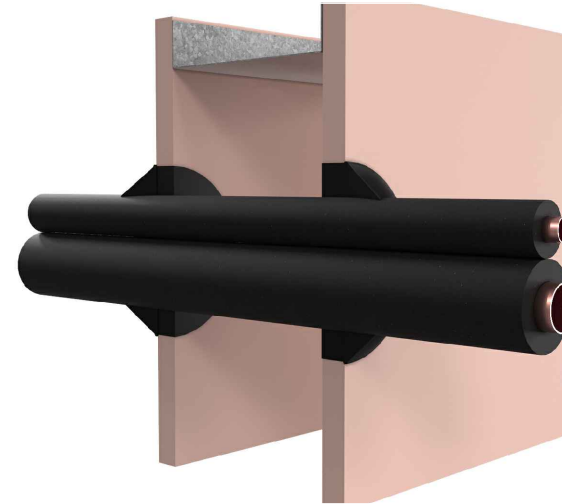
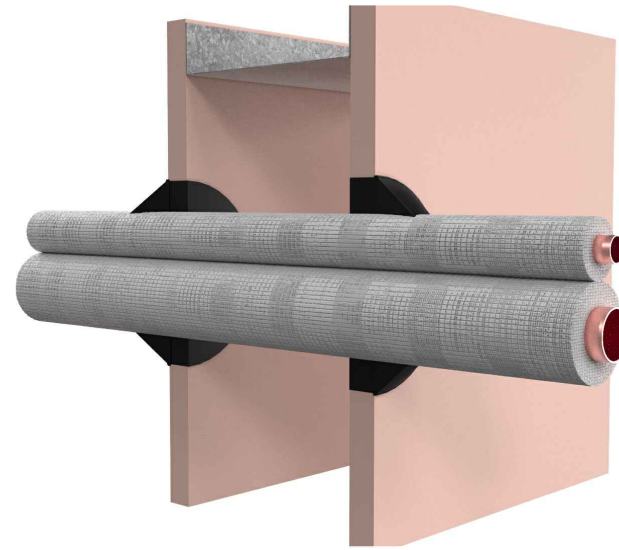


# AGNI-System NoAP-141

## Step-by-step installation instructions:

1. Ensure the aperture is free from dust and debris.
2. Apply AGNI-Black in the annular gap between the wall and the pipe, 13mm nominal (depth of lining).
3. Apply AGNI-Black for:
  - FR Pair Coil: 65mm (width) x 20mm (height) fillet/cone.
  - PE Pair Coil: 50mm (width) x 20mm (height) fillet cone.



### Technical Information

System ID	AP-141
Substrate	<ul style="list-style-type: none"> <li>• Min. 64mm timber or steel stud wall with a minimum of one layer of 13mm (or greater) FR plasterboard on each side, with or without insulation.</li> <li>• Min. 90mm concrete wall</li> </ul>
Service range	1 X FR/PE pair coil
Annular gap	PE pair coil - 12.2 - 47mm FR pair coil - 11 - 63.9mm
AGNI-Products	AGNI-Black
Protection installation	From both sides of the wall

### Compliance Information

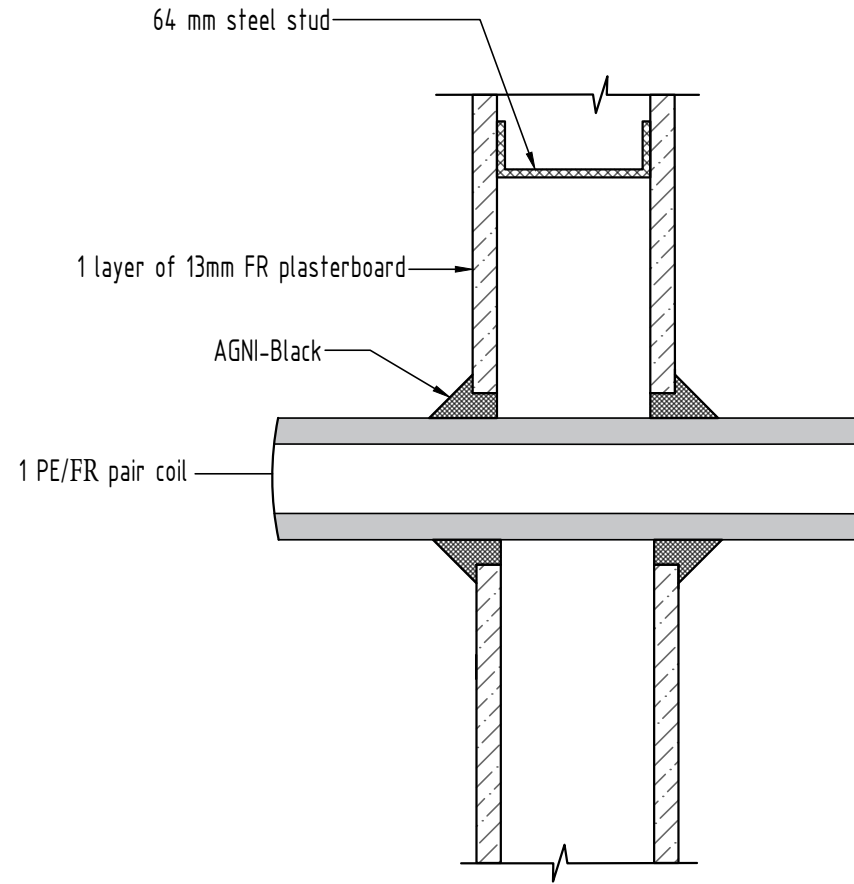
Standards	AS1530.4-2014, AS4072.1-2005
FRR/FRL	PE pair coil - /60/45 FR pair coil - /60/60
Reference	PF24144



8 Clare St Bayswater  
 VIC 3153, AUSTRALIA  
 +61 (03) 7045 4242  
 info@agnitek.com.au  
 www.agnitek.com.au

Date 15.02.2025

**Disclaimer**  
 Agnitek reserves the right to modify product specifications without prior notice due to its ongoing research, development & certification programme. The information in this document is provided in good faith and is intended for guidance purposes only. Any accompanying drawings are solely for illustrative purposes. Since Agnitek cannot oversee installation methods or ensure site conditions, no warranties, expressed or implied, are intended regarding the products' actual performance. We do not accept liability for any loss, damage, or injury from using this information. Please take a look at the test reports displayed on a relevant AGNI-System webpage for all compliance specifics.



Technical Information

System ID	AP-141
Substrate	<ul style="list-style-type: none"> <li>• Min. 64mm timber or steel stud wall with a minimum of one layer of 13mm (or greater) FR plasterboard on each side, with or without insulation.</li> <li>• Min. 90mm concrete wall</li> </ul>
Service range	1 X FR/PE pair coil
Annular gap	PE pair coil - 12.2 - 47mm FR pair coil - 11 - 63.9mm
AGNI-Products	AGNI-Black
Protection installation	From both sides of the wall

Compliance Information

Standards	AS1530.4-2014, AS4072.1-2005
FRL/FRR	PE pair coil -/60/45 FR pair coil - /60/60
Reference	PF24144



8 Clare St Bayswater  
VIC 3153, AUSTRALIA  
+61 (03) 7045 4242  
info@agnitek.com.au  
www.agnitek.com.au

Date	15.02.2025
------	------------

**Disclaimer**  
Agnitek reserves the right to modify product specifications without prior notice due to its ongoing research, development & certification programme. The information in this document is provided in good faith and is intended for guidance purposes only. Any accompanying drawings are solely for illustrative purposes. Since Agnitek cannot oversee installation methods or ensure site conditions, no warranties, expressed or implied, are intended regarding the products' actual performance. We do not accept liability for any loss, damage, or injury from using this information. Please take a look at the test reports displayed on a relevant AGNI-System webpage for all compliance specifics.