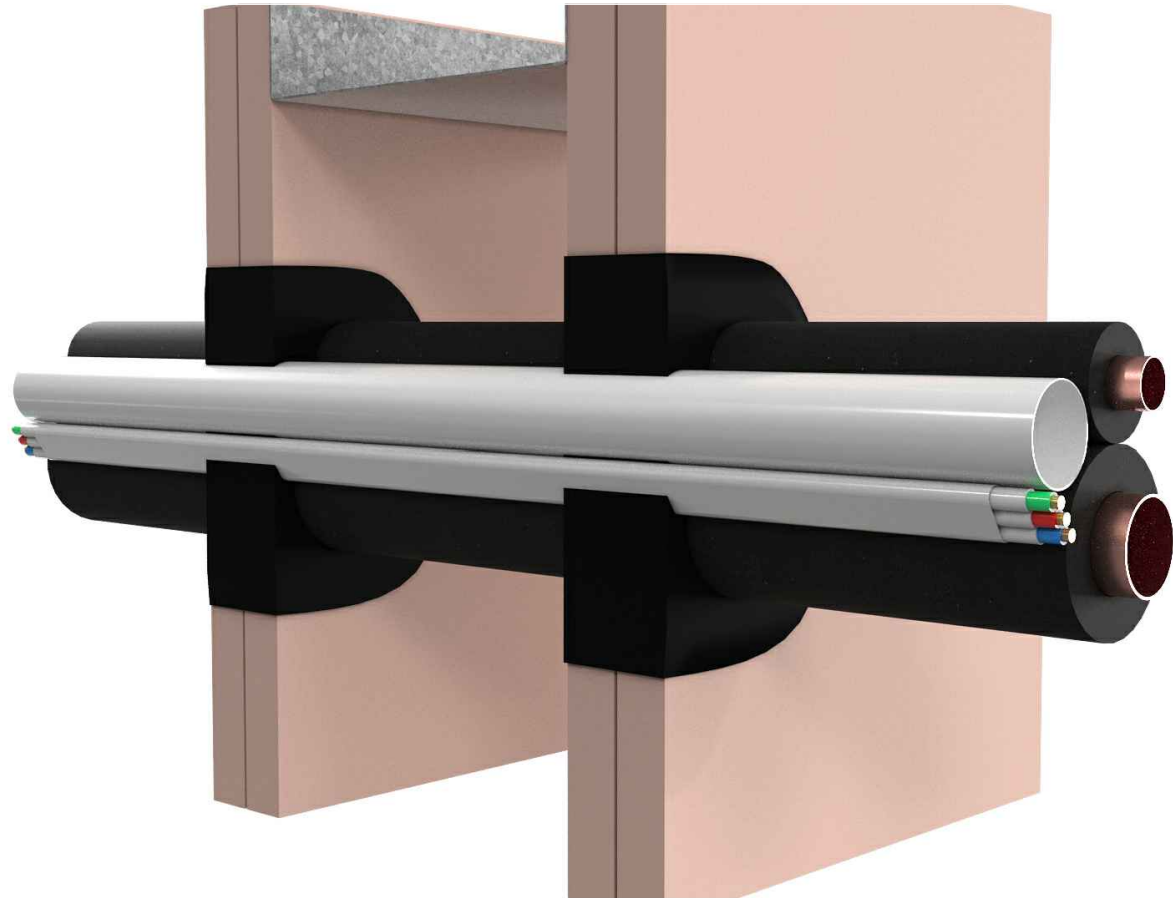


# AGNI-System №AE-143

## Step-by-step installation instructions:

1. Ensure the aperture is free from dust and debris.
2. Apply AGNI-Black in the annular gap between the wall and the pipe, 26mm (depth of lining) into the aperture.
3. Finish AGNI-Black flush with the wall.



## Technical Information

|                         |  |
|-------------------------|--|
| System ID               | AE-143   |
| Substrate               | <ul style="list-style-type: none"><li>• Min. 64mm timber or steel stud wall with a minimum of two layers of 13mm (or greater) FR plasterboard on each side, with or without insulation.</li><li>• Min. 116mm concrete wall</li></ul> |
| Service range           | 1 X FR pair coil + Electrical cable + DN25mm uPVC  |
| Annular gap             | 18.3 - 45.1mm  |
| AGNI-Products           | AGNI-Black   |
| Protection installation | From both sides of the wall  |

## Compliance Information

|           |                              |
|-----------|------------------------------|
| Standards | AS1530.4-2014, AS4072.1-2005 |
| FRR/FRL   | -/120/120                    |
| Reference | PF24144                      |
|           |                              |
|           |                              |

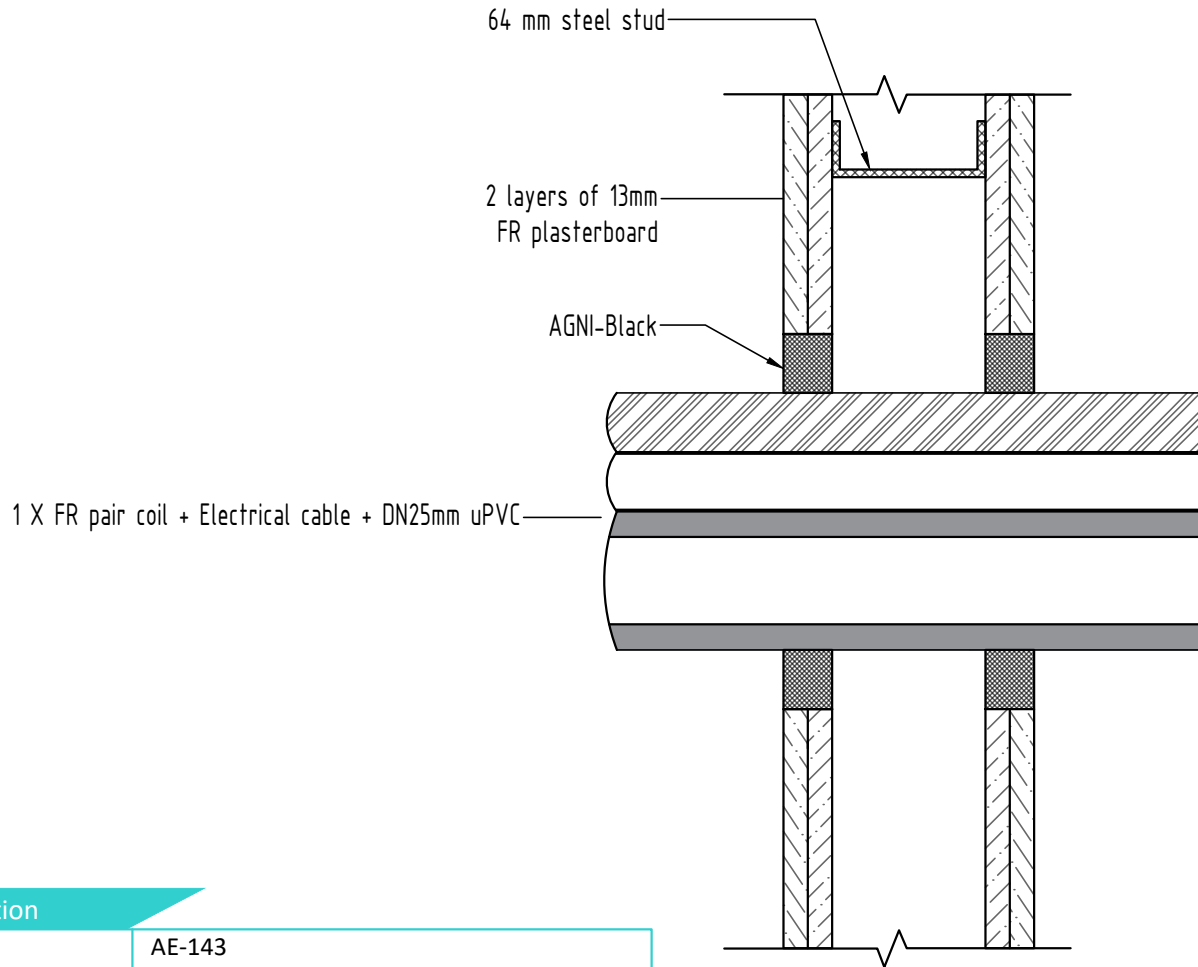


8 Clare St Bayswater  
VIC 3153, AUSTRALIA  
+61 (03) 7045 4242  
info@agnitek.com.au  
www.agnitek.com.au

### Disclaimer

Agnitek reserves the right to modify product specifications without prior notice due to its ongoing research, development & certification programme. The information in this document is provided in good faith and is intended for guidance purposes only. Any accompanying drawings are solely for illustrative purposes. Since Agnitek cannot oversee installation methods or ensure site conditions, no warranties, expressed or implied, are intended regarding the products' actual performance. We do not accept liability for any loss, damage, or injury from using this information. Please take a look at the test reports displayed on a relevant AGNI-System webpage for all compliance specifics.

|      |            |
|------|------------|
| Date | 11.12.2024 |
|------|------------|



Technical Information

|                         |   |
|-------------------------|---|
| System ID               | AE-143  |
| Substrate               | <ul style="list-style-type: none"> <li>• Min. 64mm timber or steel stud wall with a minimum of two layers of 13mm (or greater) FR plasterboard on each side, with or without insulation.</li> <li>• Min. 116mm concrete wall</li> </ul> |
| Service range           | 1 X FR pair coil + Electrical cable + DN25mm uPVC   |
| Annular gap             | 18.3 - 45.1mm   |
| AGNI-Products           | AGNI-Black  |
| Protection installation | From both sides of the wall   |

Compliance Information

|           |                              |
|-----------|------------------------------|
| Standards | AS1530.4-2014, AS4072.1-2005 |
| FRR/FRL   | -/120/120                    |
| Reference | PF24144                      |
|           |                              |
|           |                              |



8 Clare St Bayswater  
VIC 3153, AUSTRALIA  
+61 (03) 7045 4242  
info@agnitek.com.au  
www.agnitek.com.au

Disclaimer

Agnitek reserves the right to modify product specifications without prior notice due to its ongoing research, development & certification programme. The information in this document is provided in good faith and is intended for guidance purposes only. Any accompanying drawings are solely for illustrative purposes. Since Agnitek cannot oversee installation methods or ensure site conditions, no warranties, expressed or implied, are intended regarding the products' actual performance. We do not accept liability for any loss, damage, or injury from using this information. Please take a look at the test reports displayed on a relevant AGNI-System webpage for all compliance specifics.

|      |            |
|------|------------|
| Date | 12.12.2024 |
|------|------------|