

AGNI-System №AE-123

Step-by-step installation instructions:

1. Ensure the aperture is free from dust and debris.
2. Cut 180mm AGNI-Sleeve to fit one revolution into the aperture (150mm for the protection within the concrete floor and 50mm for fixing tabs).
3. Cut AGNI-Sleeve to make two 50mm x 25mm fixing tabs placed 300mm centres or 50mm from the edges of the AGNI-Sleeve.
4. Insert the AGNI-Sleeve into the aperture flush with the concrete floor surface, leaving the fixing tabs past the face of the surface.
5. Bend the fixing tabs over onto the surface of the floor and secure them using concrete anchors.
6. Apply a bead of 10mm (nominal) deep AGNI-Seal between the floor and the AC bundle, finishing flush with the face of the floor.



Technical Information

System ID	AE-123
Substrate	Min. 150mm thick concrete horizontal floor (80mm profiled decking with 70mm topping)
Service range	1 x PE pair coil + 1 x DN20mm condensate pipe + 1 x TPS cable
Annular gap	4-11mm
AGNI-Products	AGNI-Sleeve, AGNI-Seal
Protection installation	Asymmetrical (installed from above the floor/ceiling)
Passing through the 70mm topping	Yes
Passing through the rib	Yes

Compliance Information

Standards	AS1530.4-2014, AS4072.1-2005
FRR/FRL	-/120/90
Reference	PF24098

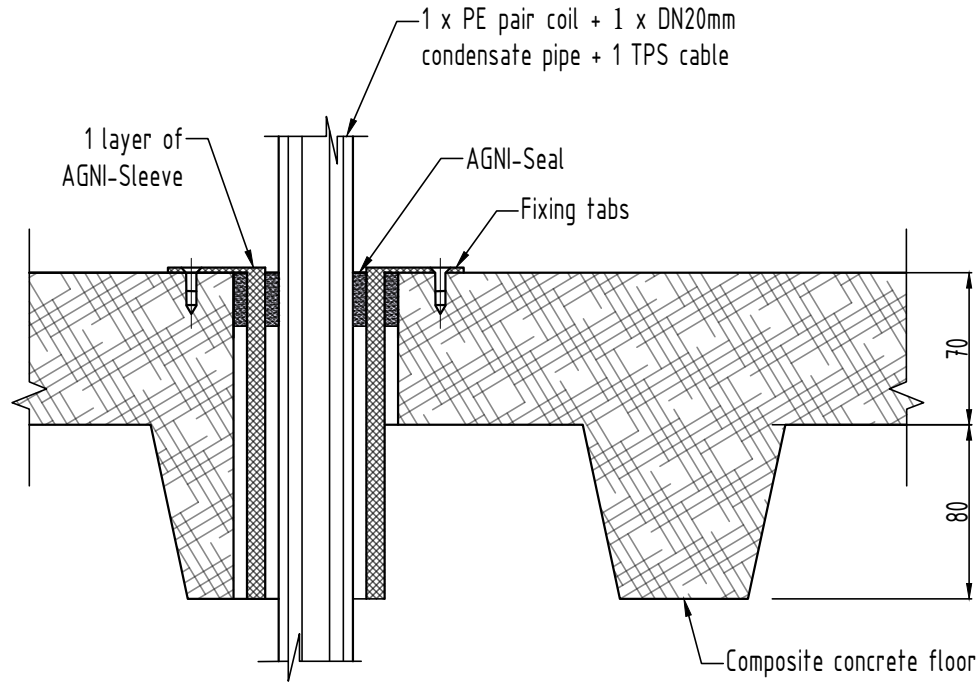


8 Clare St Bayswater
VIC 3153, AUSTRALIA
+61 (03) 7045 4242
info@agnitek.com.au
www.agnitek.com.au

Disclaimer

Agnitek reserves the right to modify product specifications without prior notice due to its ongoing research, development & certification programme. The information in this document is provided in good faith and is intended for guidance purposes only. Any accompanying drawings are solely for illustrative purposes. Since Agnitek cannot oversee installation methods or ensure site conditions, no warranties, expressed or implied, are intended regarding the products' actual performance. We do not accept liability for any loss, damage, or injury from using this information. Please take a look at the test reports displayed on a relevant AGNI-System webpage for all compliance specifics.

Date	01.11.2024
------	------------



Technical Information

System ID	AE-123
Substrate	Min. 150mm thick concrete horizontal floor (80mm profiled decking with 70mm topping)
Service range	1 x PE pair coil + 1 x DN20mm condensate pipe + 1 x TPS cable
Annular gap	4-11mm
AGNI-Products	AGNI-Sleeve, AGNI-Seal
Protection installation	Asymmetrical (installed from above the floor/ceiling)
Passing through the 70mm topping	Yes
Passing through the rib	Yes

Compliance Information

Standards	AS1530.4-2014, AS4072.1-2005
FRR/FRL	-/120/90
Reference	PF24098



8 Clare St Bayswater
VIC 3153, AUSTRALIA
+61 (03) 7045 4242
info@agnitek.com.au
www.agnitek.com.au

Disclaimer

Agnitek reserves the right to modify product specifications without prior notice due to its ongoing research, development & certification programme. The information in this document is provided in good faith and is intended for guidance purposes only. Any accompanying drawings are solely for illustrative purposes. Since Agnitek cannot oversee installation methods or ensure site conditions, no warranties, expressed or implied, are intended regarding the products' actual performance. We do not accept liability for any loss, damage, or injury from using this information. Please take a look at the test reports displayed on a relevant AGNI-System webpage for all compliance specifics.

Date	01.11.2024
------	------------