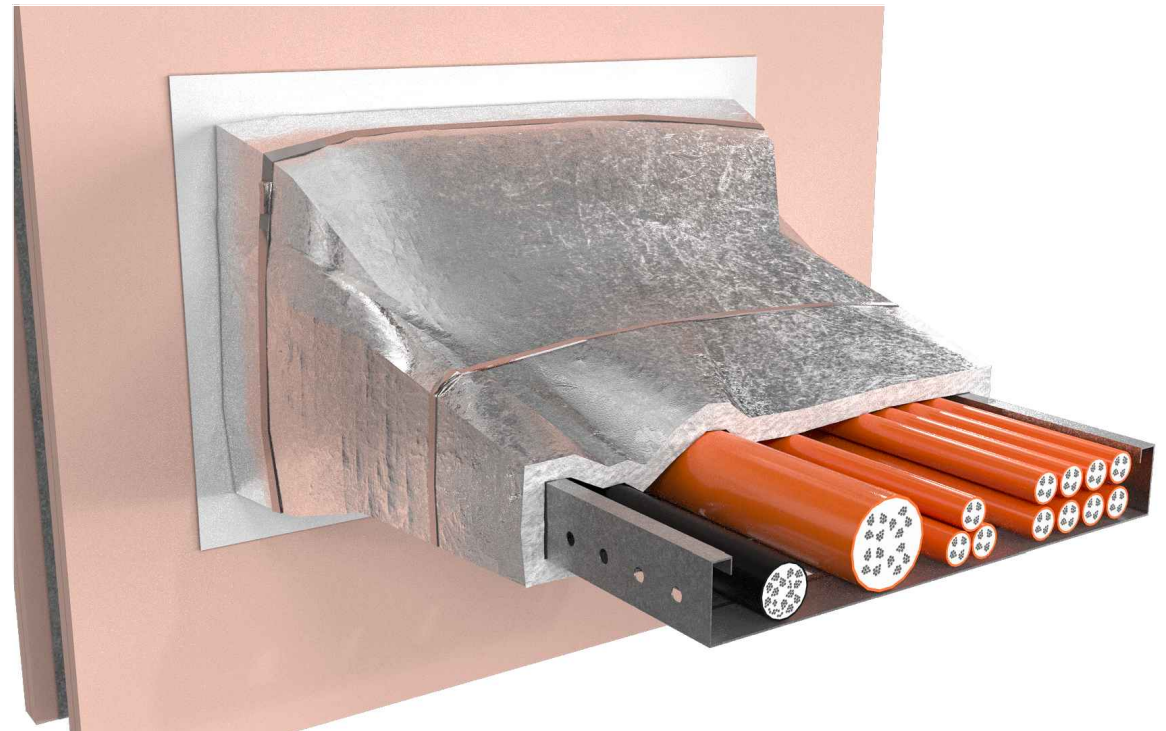


# AGNI-System №ABX-118

## Step-by-step installation instructions:

1. Build 64mm steel stud frame (300mm wide x 151mm high) in the centre of the cavity for a tight fit of the AGNI-Box.
2. Secure the AGNI-Box to the steel stud frame through predrilled holes, using 41mm screws on all three sides of the AGNI-Box.
3. Cut the cable tray 50mm before the AGNI-Box and continue 50mm after the AGNI-Box.
4. Insert the D1 cables through the AGNI-Box, install the lid and screw to the steel stud frame using 41mm screws.
5. Apply AGNI-Seal to seal the annular space between the wall and the AGNI-Box.
6. Cut the foam face of the AGNI-Box-to friction fit around the cable tray.
7. Apply AGNI-Seal around the cables.
8. Wrap one layer of 300mm wide AGNI-Shield around the AGNI-Box and D1 cables with 100mm overlap.
9. Use two AGNI-Straps to secure the AGNI-Shield to the box and the services: 30-50mm from the wall and 100mm from the opposite edge of the AGNI-Shield.
10. Apply AGNI-Seal between the AGNI-Shield and the wall (10mm nominal).



## Technical Information

System ID	ABX-118
Substrate	<ul style="list-style-type: none"> <li>• Min. 64mm steel / timber stud wall with a minimum of two layers of 13mm (or greater) FR plasterboard on each side, with or without insulation.</li> <li>• Min. 116mm concrete wall/masonry wall/block wall</li> </ul>
Service range	D1 cable configuration
Annular gap	0 - 5mm
AGNI-Products	AGNI-Box, AGNI-Seal, AGNI-Shield, AGNI-Straps
Protection installation	Both sides of the wall

## Compliance Information

Standards	AS1530.4-2014, AS4072.1-2005
FRR/FRL	-/120/120
Reference	PF24110

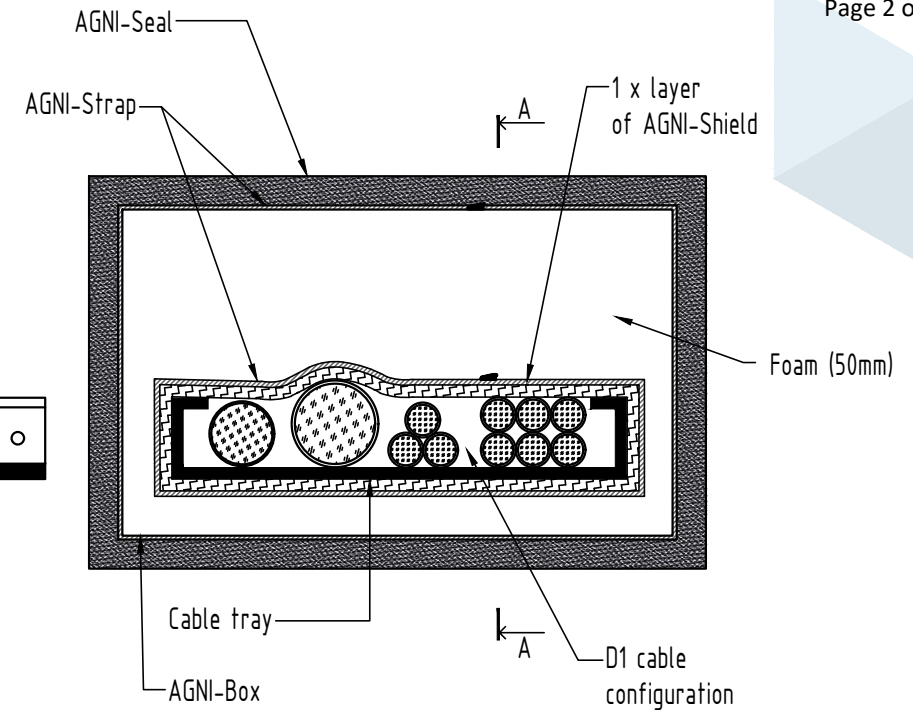
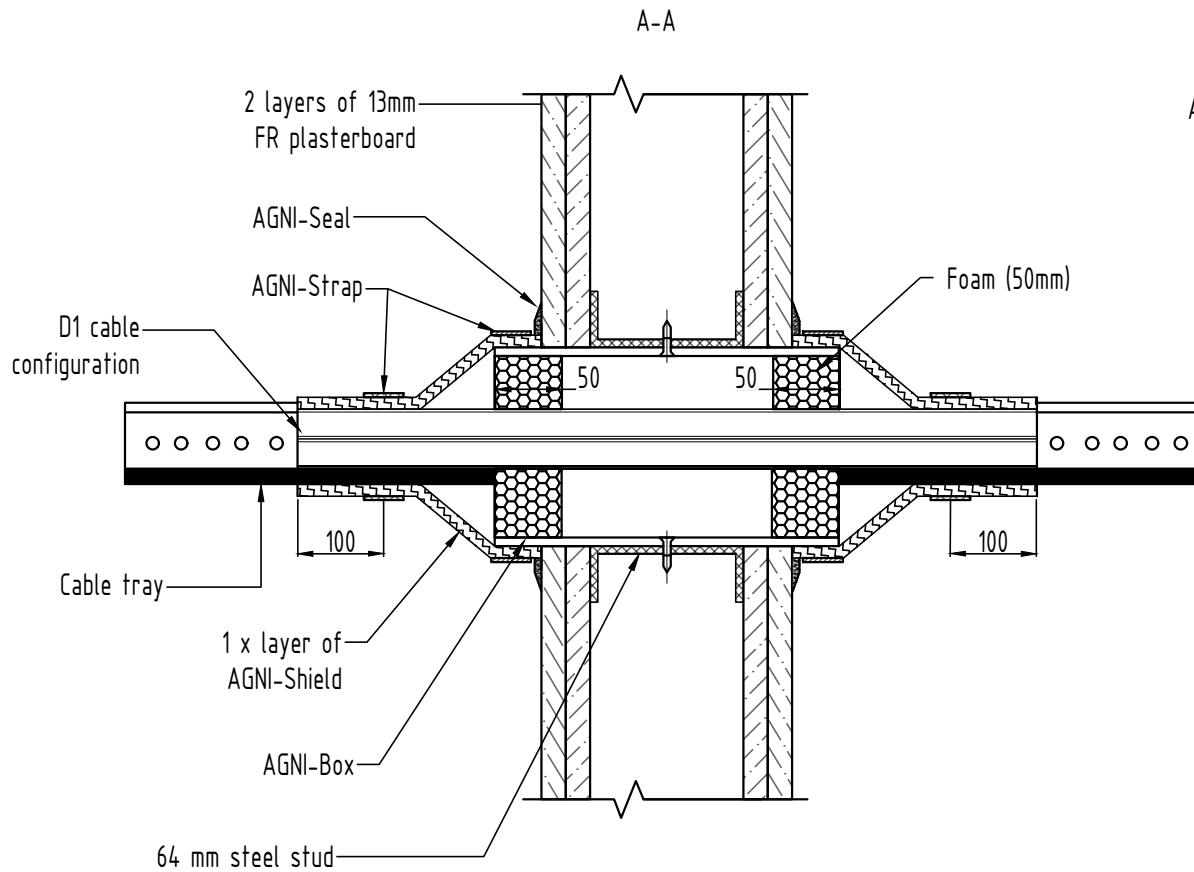


8 Clare St Bayswater  
VIC 3153, AUSTRALIA  
+61 (03) 7045 4242  
info@agnitek.com.au  
www.agnitek.com.au

### Disclaimer

Agnitek reserves the right to modify product specifications without prior notice due to its ongoing research, development & certification programme. The information in this document is provided in good faith and is intended for guidance purposes only. Any accompanying drawings are solely for illustrative purposes. Since Agnitek cannot oversee installation methods or ensure site conditions, no warranties, expressed or implied, are intended regarding the products' actual performance. We do not accept liability for any loss, damage, or injury from using this information. Please take a look at the test reports displayed on a relevant AGNI-System webpage for all compliance specifics.

Date	01.11.2024
------	------------



Technical Information

System ID	ABX-118
Substrate	<ul style="list-style-type: none"> <li>Min. 64mm steel / timber stud wall with a minimum of two layers of 13mm (or greater) FR plasterboard on each side, with or without insulation.</li> <li>Min. 116mm concrete wall/masonry wall/block wall</li> </ul>
Service range	D1 cable configuration
Annular gap	0 - 5mm
AGNI-Products	AGNI-Box, AGNI-Seal, AGNI-Shield, AGNI-Straps
Protection installation	Both sides of the wall

Compliance Information

Standards	AS1530.4-2014, AS4072.1-2005
FRR/FRL	-/120/120
Reference	PF24110



**Agnitek**  
FIRE RATED TECHNOLOGY

8 Clare St Bayswater  
VIC 3153, AUSTRALIA  
+61 (03) 7045 4242  
info@agnitek.com.au  
www.agnitek.com.au

Disclaimer

Agnitek reserves the right to modify product specifications without prior notice due to its ongoing research, development & certification programme. The information in this document is provided in good faith and is intended for guidance purposes only. Any accompanying drawings are solely for illustrative purposes. Since Agnitek cannot oversee installation methods or ensure site conditions, no warranties, expressed or implied, are intended regarding the products' actual performance. We do not accept liability for any loss, damage, or injury from using this information. Please take a look at the test reports displayed on a relevant AGNI-System webpage for all compliance specifics.

Date	01.11.2024
------	------------