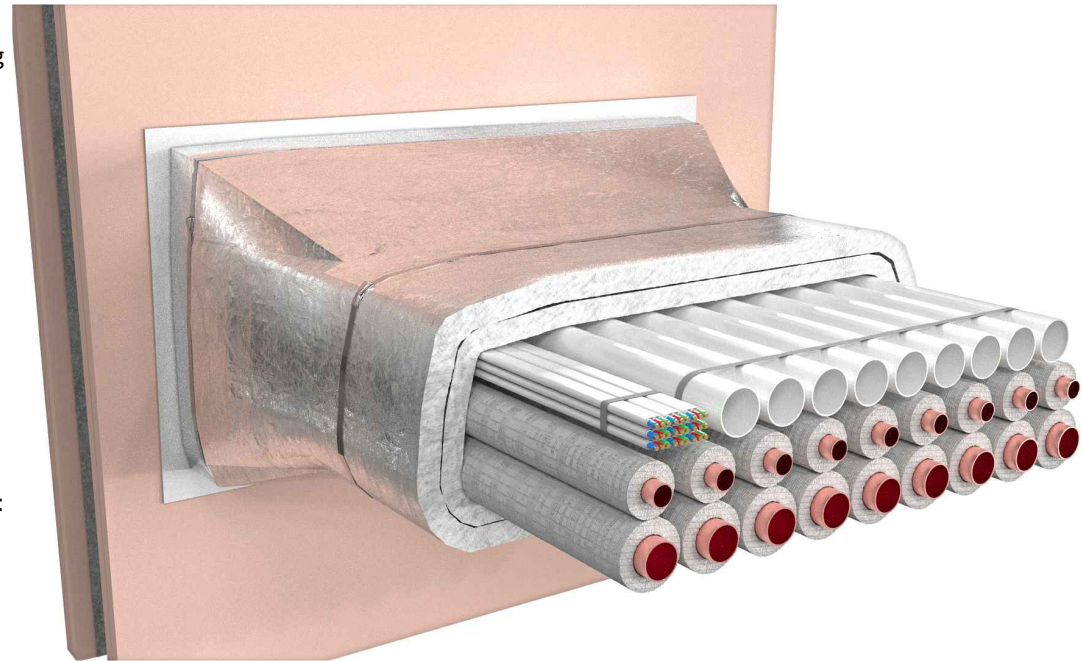


AGNI-System №ABX-115

Step-by-step installation instructions:

1. Build 64mm steel stud frame (300mm wide x 151mm high) in the centre of the cavity for a tight fit of the AGNI-Box.
2. Secure the AGNI-Box to the steel stud frame through predrilled holes, using 41mm screws on all four sides of the AGNI-Box.
3. Make a 40mm x 40mm AGNI-Seal cone between the AGNI-Box and the separating element. The AGNI-Box cone should surround all four edges of the AGNI-Box.
4. Insert the services into the AGNI-Box - 9 x PE Pair Coils, 9 x DN20mm condensate pipes, 9 x TPS cables.
5. Cut the foam in half horizontally and then cut to friction fit around the services.
6. Insert the foam into the face of the AGNI-Box.
7. Wrap two layers of 300mm wide AGNI-Shield around the AGNI-Box and services with 100mm overlap on each layer.
8. Use two AGNI-Straps to secure the AGNI-Shield to the box and the services: 30-50mm from the wall and 100mm from the opposite edge of the AGNI-Shield.
9. Apply AGNI-Seal between the AGNI-Shield and the wall (10mm nominal).



Technical Information

System ID	ABX-115
Substrate	<ul style="list-style-type: none"> • Min. 64mm steel / timber stud wall with a minimum of two layers of 13mm (or greater) FR plasterboard on each side, with or without insulation. • Min. 116mm concrete wall/masonry wall/block wall
Service range	9 x PE Pair Coils, 9 x DN20mm condensate (PVC-U) pipes, 9 x TPS cables
Annular gap	0 - 5mm
AGNI-Products	AGNI-Box, AGNI-Seal, AGNI-Shield, AGNI-Straps
Protection installation	Asymmetrical (installed from above the floor/ceiling)

Disclaimer

Agnitek reserves the right to modify product specifications without prior notice due to its ongoing research, development & certification programme. The information in this document is provided in good faith and is intended for guidance purposes only. Any accompanying drawings are solely for illustrative purposes. Since Agnitek cannot oversee installation methods or ensure site conditions, no warranties, expressed or implied, are intended regarding the products' actual performance. We do not accept liability for any loss, damage, or injury from using this information. Please take a look at the test reports displayed on a relevant AGNI-System webpage for all compliance specifics.

Compliance Information

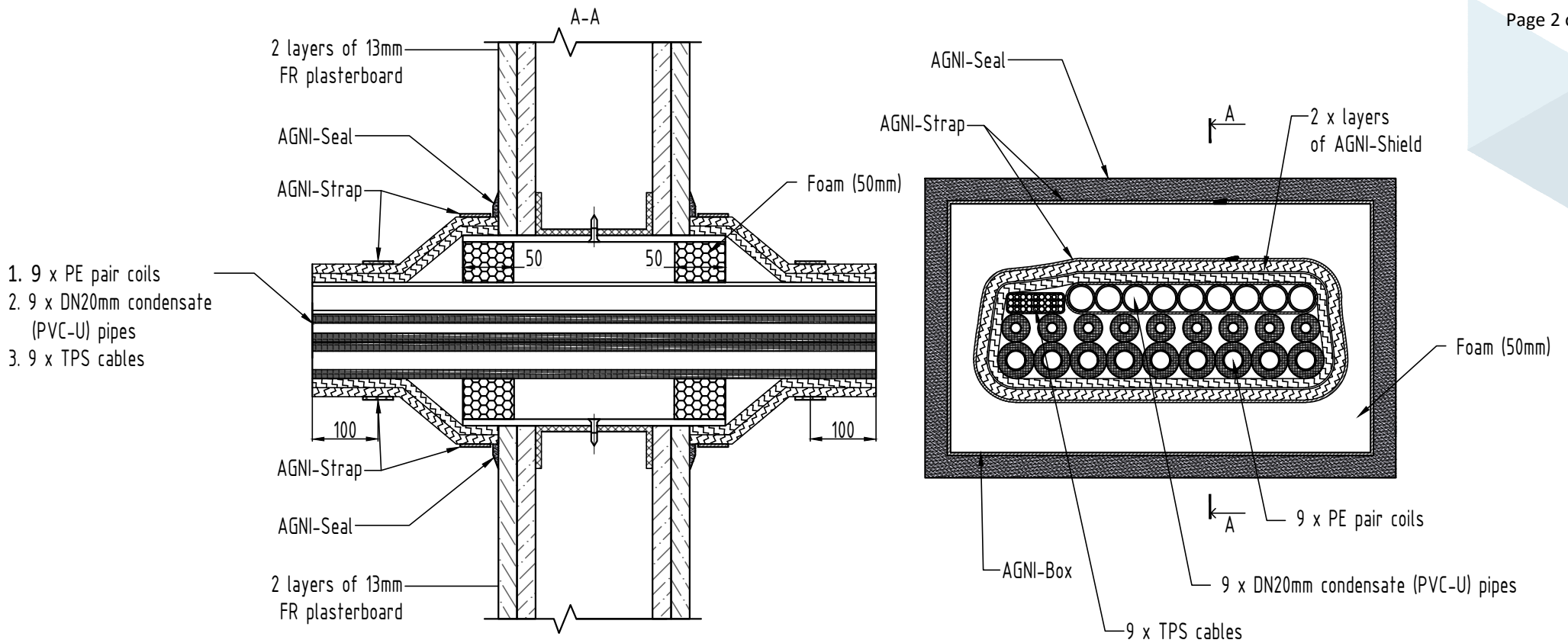
Standards	AS1530.4-2014, AS4072.1-2005
FRR/FRL	-/90/90
Reference	PF24099



Agnitek[®]
FIRE RATED TECHNOLOGY

8 Clare St Bayswater
VIC 3153, AUSTRALIA
+61 (03) 7045 4242
info@agnitek.com.au
www.agnitek.com.au

Date	01.11.2024
------	------------



Technical Information

System ID	ABX-115
Substrate	<ul style="list-style-type: none"> Min. 64mm steel / timber stud wall with a minimum of two layers of 13mm (or greater) FR plasterboard on each side, with or without insulation. Min. 116mm concrete wall/masonry wall/block wall
Service range	9 x PE Pair Coils, 9 x DN20mm condensate (PVC-U) pipes, 9 x TPS cables
Annular gap	0 - 5mm
AGNI-Products	AGNI-Box, AGNI-Seal, AGNI-Shield, AGNI-Straps
Protection installation	Asymmetrical (installed from above the floor/ceiling)

Compliance Information

Standards	AS1530.4-2014, AS4072.1-2005
FRR/FRL	-/90/90
Reference	PF24099



Agnitek[®]
 FIRE RATED TECHNOLOGY

8 Clare St Bayswater
 VIC 3153, AUSTRALIA
 +61 (03) 7045 4242
 info@agnitek.com.au
 www.agnitek.com.au

Disclaimer

Agnitek reserves the right to modify product specifications without prior notice due to its ongoing research, development & certification programme. The information in this document is provided in good faith and is intended for guidance purposes only. Any accompanying drawings are solely for illustrative purposes. Since Agnitek cannot oversee installation methods or ensure site conditions, no warranties, expressed or implied, are intended regarding the products' actual performance. We do not accept liability for any loss, damage, or injury from using this information. Please take a look at the test reports displayed on a relevant AGNI-System webpage for all compliance specifics.

Date	01.11.2024
------	------------