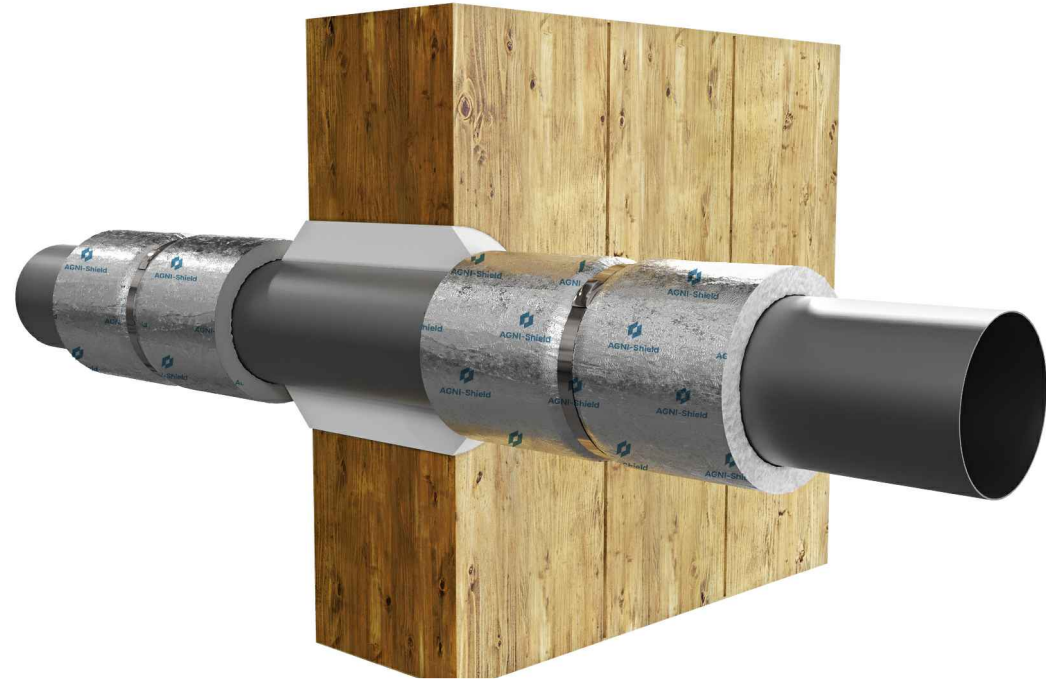


# AGNI-System NoAP-092

## Step-by-step installation instructions:

1. Ensure the aperture is free from dust and debris.
2. Fill the aperture between CLT and the pipe with AGNI-Seal to the full depth of the CLT wall with a 10mm x 10mm cone on both sides.
3. Wrap 100mm wide AGNI-Shield around the pipe and secure it with an AGNI-Strap positioned in the middle of the AGNI-Shield wrapping - 50mm from the wall on both sides of the wall.



### Technical Information

System ID	AP-092
Substrate	Min. 100mm CLT wall
Service	DN 50mm steel pipe
Annular gap	7.5mm - 12.6mm
AGNI-Products	AGNI-Seal, AGNI-Shield, AGNI-Straps
Protection installation	Both sides of the wall

### Compliance Information

Standards	AS1530.4-2014, AS4072.1-2005
FRR/FRL	-/60/60
Reference	PF24086



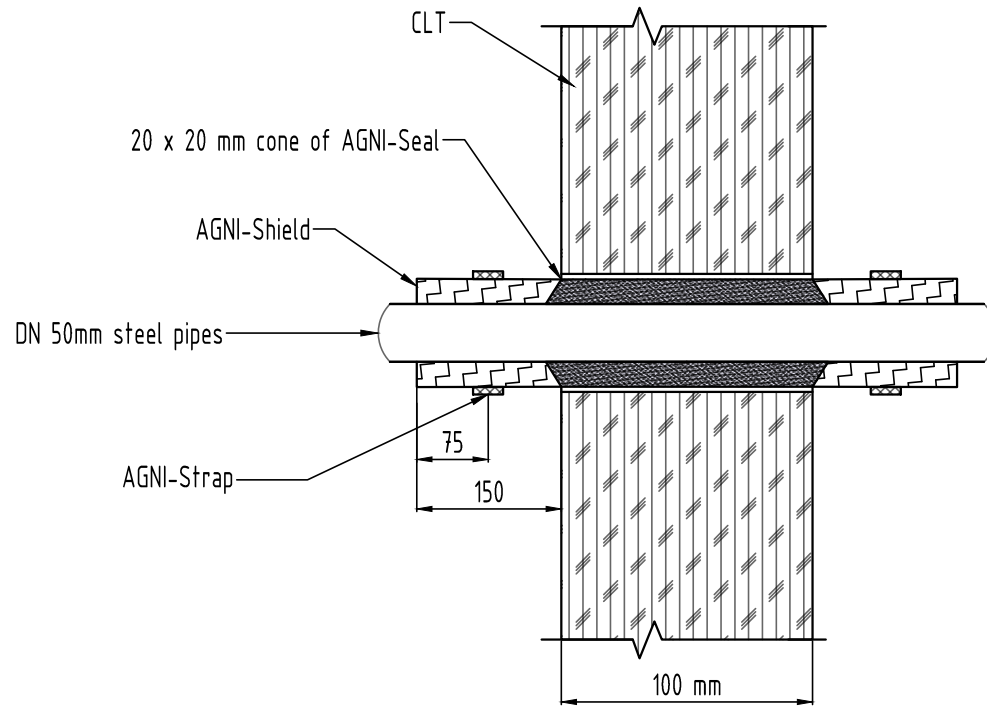
**Agnitek**  
FIRE RATED TECHNOLOGY

8 Clare St Bayswater  
VIC 3153, AUSTRALIA  
+61 (03) 7045 4242  
info@agnitek.com.au  
www.agnitek.com.au

Date 30.08.2024

#### Disclaimer

Agnitek reserves the right to modify product specifications without prior notice due to its ongoing research, development & certification programme. The information in this document is provided in good faith and is intended for guidance purposes only. Any accompanying drawings are solely for illustrative purposes. Since Agnitek cannot oversee installation methods or ensure site conditions, no warranties, expressed or implied, are intended regarding the products' actual performance. We do not accept liability for any loss, damage, or injury from using this information. Please take a look at the test reports displayed on a relevant AGNI-System webpage for all compliance specifics.



Technical Information

System ID	AP-092
Substrate	Min. 100mm CLT wall
Service	DN 50mm steel pipe
Annular gap	7.5mm - 12.6mm
AGNI-Products	AGNI-Seal, AGNI-Shield, AGNI-Straps
Protection installation	Both sides of the wall

Compliance Information

Standards	AS1530.4-2014, AS4072.1-2005
FRR/FRL	-/60/60
Reference	PF24086



**Agnitek**  
FIRE RATED TECHNOLOGY

8 Clare St Bayswater  
VIC 3153, AUSTRALIA  
+61 (03) 7045 4242  
info@agnitek.com.au  
www.agnitek.com.au

Disclaimer

Agnitek reserves the right to modify product specifications without prior notice due to its ongoing research, development & certification programme. The information in this document is provided in good faith and is intended for guidance purposes only. Any accompanying drawings are solely for illustrative purposes. Since Agnitek cannot oversee installation methods or ensure site conditions, no warranties, expressed or implied, are intended regarding the products' actual performance. We do not accept liability for any loss, damage, or injury from using this information. Please take a look at the test reports displayed on a relevant AGNI-System webpage for all compliance specifics.

Date	30.08.2024
------	------------