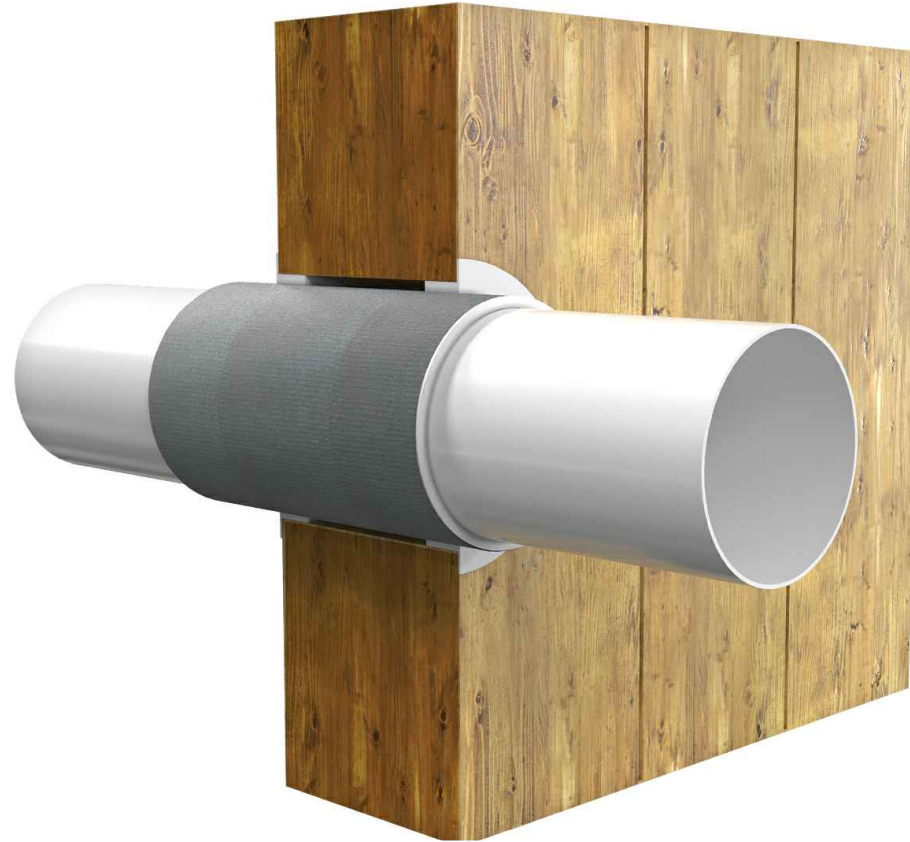


AGNI-System №AP-094

Step-by-step installation instructions:

1. Ensure the aperture is free from dust and debris.
2. Remove the base fabric of AGNI-Sleeve before installation.
3. Wrap 120mm wide AGNI-Sleeve around the service, where 10mm of AGNI-Sleeve extends beyond the CLT wall on both sides.
4. Seal all joints with a nominal 5mm bead of AGNI-Seal on both sides of the wall.



Technical Information

| | |
|-------------------------|-------------------------|
| System ID | AP-094 |
| Substrate | Min. 100mm CLT wall |
| Service range | DN 32mm-80mm PVC-U pipe |
| Annular gap | 9mm - 10.5mm |
| AGNI-Products | AGNI-Seal, AGNI-Sleeve |
| Protection installation | Both sides of the wall |

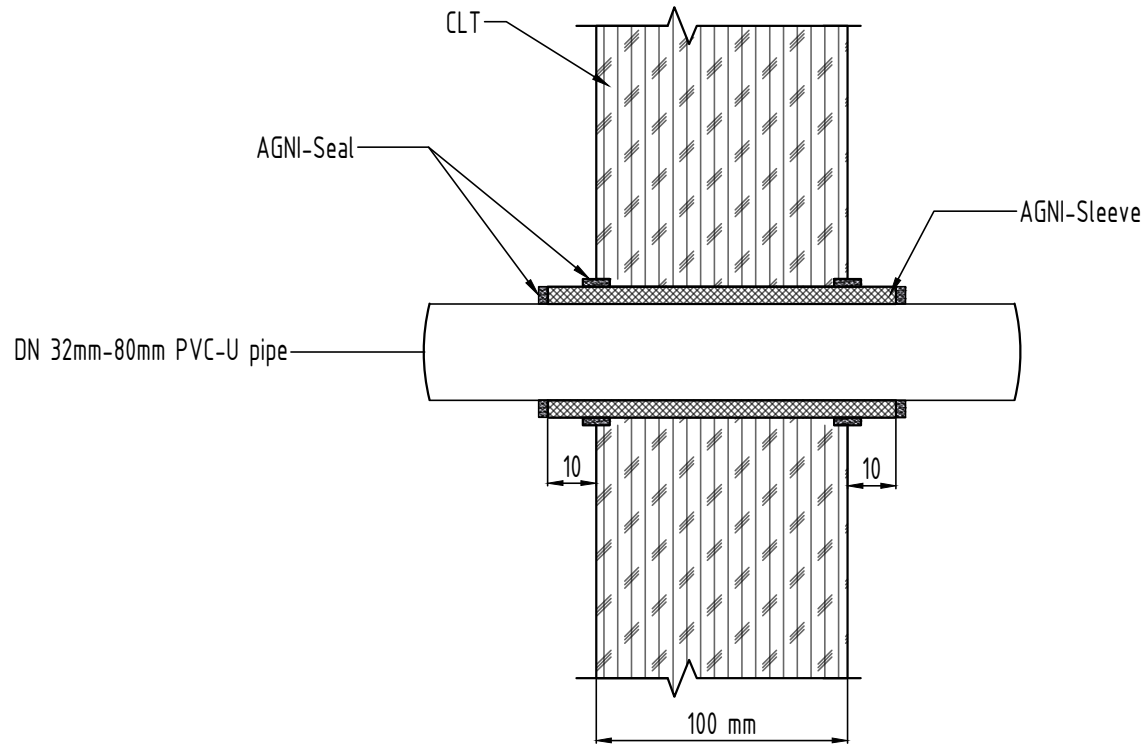
Compliance Information

| | |
|-----------|------------------------------|
| Standards | AS1530.4-2014, AS4072.1-2005 |
| FRR/FRL | -/60/60 |
| Reference | PF24086 |
| | |
| | |



8 Clare St Bayswater
VIC 3153, AUSTRALIA
+61 (03) 7045 4242
info@agnitek.com.au
www.agnitek.com.au

Date 30.08.2024



Technical Information

| | |
|-------------------------|-------------------------|
| System ID | AP-094 |
| Substrate | Min. 100m CLT wall |
| Service range | DN 32mm-80mm PVC-U pipe |
| Annular gap | 9mm - 10.5mm |
| AGNI-Products | AGNI-Seal, AGNI-Sleeve |
| Protection installation | Both sides of the wall |

Compliance Information

| | |
|-----------|------------------------------|
| Standards | AS1530.4-2014, AS4072.1-2005 |
| FRR/FRL | -/60/60 |
| Reference | PF24086 |
| | |
| | |



Agnitek[®]
FIRE RATED TECHNOLOGY

8 Clare St Bayswater
VIC 3153, AUSTRALIA
+61 (03) 7045 4242
info@agnitek.com.au
www.agnitek.com.au

| | |
|------|------------|
| Date | 30.08.2024 |
|------|------------|

Disclaimer
Agnitek reserves the right to modify product specifications without prior notice due to its ongoing research, development & certification programme. The information in this document is provided in good faith and is intended for guidance purposes only. Any accompanying drawings are solely for illustrative purposes. Since Agnitek cannot oversee installation methods or ensure site conditions, no warranties, expressed or implied, are intended regarding the products' actual performance. We do not accept liability for any loss, damage, injury, or expense arising from using this information. Please take a look at the test reports displayed on relevant AGNI-System webpage for all compliance specific details.