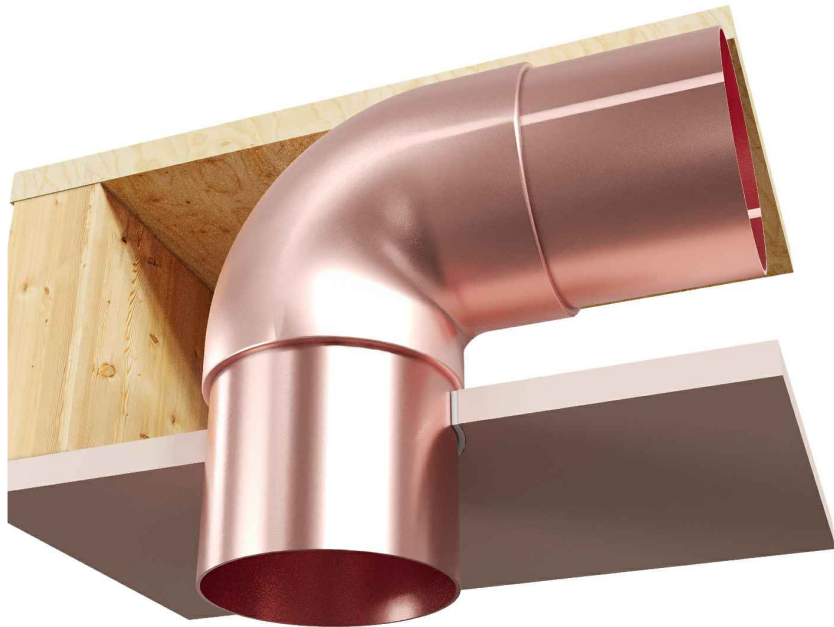


AGNI-System №AP-083

Step-by-step installation instructions:

1. Ensure the aperture is free from dust and debris.
2. Exposed side: Install AGNI-Seal into the annular gap between the service and plasterboard to the full depth of the plasterboard.

Unexposed side: Service doesn't penetrate plywood lining.



Technical Information

System ID	AP-083
Substrate	<ul style="list-style-type: none"> • Fire-rated plasterboard ceiling (min. one layer of 13mm plasterboard or greater)
Service range	Up to DN100mm copper/steel pipes
Annular gap	1mm - 10mm
AGNI-Products	AGNI-Seal
Protection installation	Asymmetrical - installed on the fire side only

Compliance Information

Standards	AS1530.4-2014, AS4072.1-2005
FRR/FRL	-/30/30 in the ceiling with FRR 30/30/30 -/60/60 in the ceiling with FRR 60/60/60
Reference	PF24079



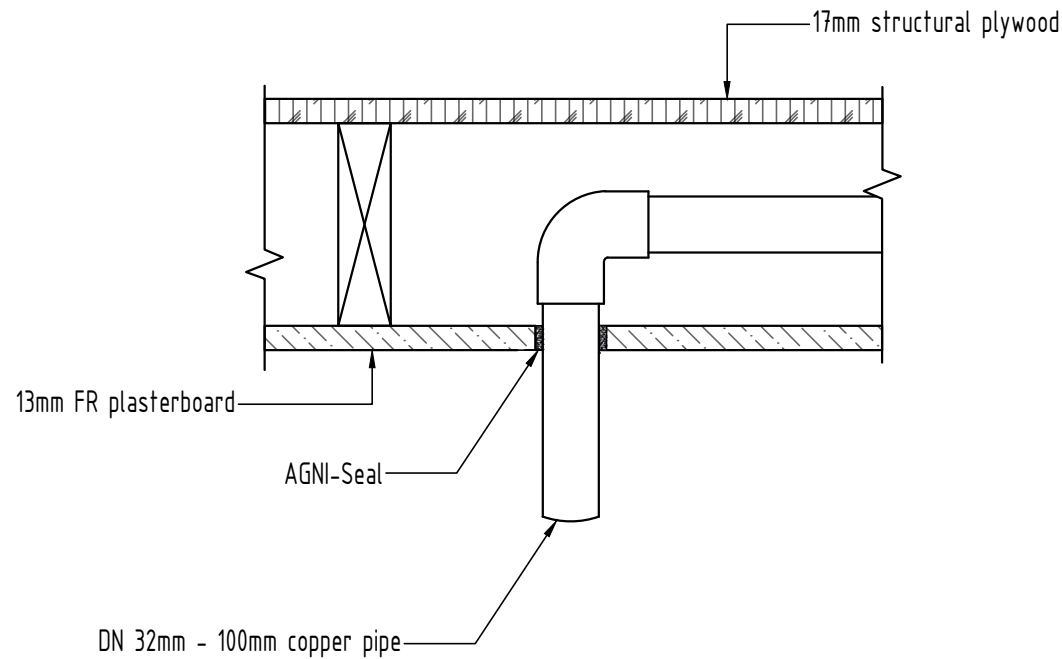
Agnitek[®]
FIRE RATED TECHNOLOGY

8 Clare St Bayswater
VIC 3153, AUSTRALIA
+61 (03) 7045 4242
info@agnitek.com.au
www.agnitek.com.au

Disclaimer

Agnitek reserves the right to modify product specifications without prior notice due to its ongoing research, development & certification programme. The information in this document is provided in good faith and is intended for guidance purposes only. Any accompanying drawings are solely for illustrative purposes. Since Agnitek cannot oversee installation methods or ensure site conditions, no warranties, expressed or implied, are intended regarding the products' actual performance. We do not accept liability for any loss, damage, or injury from using this information. Please take a look at the test reports displayed on a relevant AGNI-System webpage for all compliance specifics.

Date	16.08.2024
------	------------



Technical Information

System ID	AP-083
Substrate	<ul style="list-style-type: none"> Fire-rated plasterboard ceiling (min. one layer of 13mm plasterboard or greater)
Service range	Up to DN100mm copper/steel pipes
Annular gap	1mm - 10mm
AGNI-Products	AGNI-Seal
Protection installation	Asymmetrical - installed on the fire side only

Compliance Information

Standards	AS1530.4-2014, AS4072.1-2005
FRR/FRL	-/30/30 in the ceiling with FRR 30/30/30 -/60/60 in the ceiling with FRR 60/60/60
Reference	PF24079



Agnitek[®]
FIRE RATED TECHNOLOGY

8 Clare St Bayswater
VIC 3153, AUSTRALIA
+61 (03) 7045 4242
info@agnitek.com.au
www.agnitek.com.au

Disclaimer

Agnitek reserves the right to modify product specifications without prior notice due to its ongoing research, development & certification programme. The information in this document is provided in good faith and is intended for guidance purposes only. Any accompanying drawings are solely for illustrative purposes. Since Agnitek cannot oversee installation methods or ensure site conditions, no warranties, expressed or implied, are intended regarding the products' actual performance. We do not accept liability for any loss, damage, or injury from using this information. Please take a look at the test reports displayed on a relevant AGNI-System webpage for all compliance specifics.

Date	16.08.2024
------	------------